

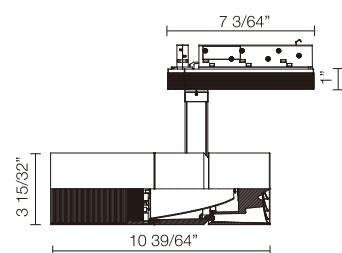
MMP-130S/5H



Products Specifications

· Input Voltage	AC120V
· Power consumption	53.9W(AC120V)
· Luminance flux	4,161 ~ 4,577 lm
· Color rendering	CRI (Ra)=93(typ)
· Fixture's weight	2.58 lbs
· Light distribution	Narrow (11°) Medium (18°)
· Input current	0.454A (120V)
· Aiming distance	0.3m (11 13/16 in)
· Tilting angle	100°
· Filter lighting®	2 Filters

Size

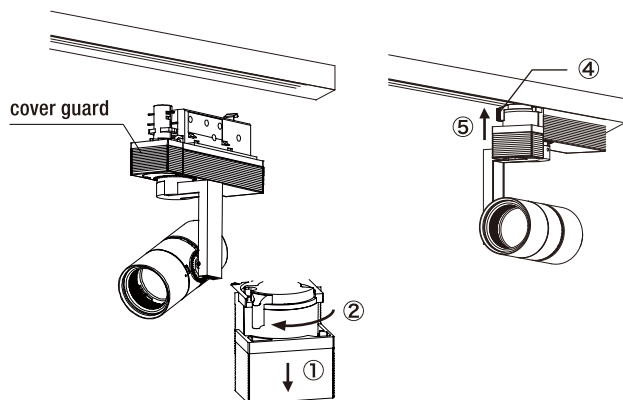


Track system designation

EUTRAC : Series 230,233
EUTRAC CORP NA
NORDIC : type TEK-44,48,412
NORDIC ALUMINIUM INC

· This fixture is compatible with 2-circuit track only.
The fixture attaches to both the left and right circuit rails of the track.
Please ensure that only one power feed is supplied to the track.

Installation



- ① Pull down the cover guard.
- ② Rotate the gear lever.
- ③ Push the driver box against the lighting rail.
- ④ Rotate the gear lever and lock it.
- ⑤ Push up the cover guard.

Product code

[ex : 50°Hood / White / EUTRACK type / Narrow 11° / 3000K]

MMP-130S/5H/W/1E/N/40B 30/Z2/ 2

Basic Product Series	Hood	Color	Track type	Light distribution	Light source	Color temperature	Driver type	Auth-entification
----------------------	------	-------	------------	--------------------	--------------	-------------------	-------------	-------------------

◎EUTRAC type

Dimming | 0-10V | 3-100%

White	MMP-130S/5H/W/1E/N.M/40B27.30.35.40/Z2/2
Matte black	MMP-130S/5H/M/1E/N.M/40B27.30.35.40/Z2/2
Chrome	MMP-130S/5H/S/1E/N.M/40B27.30.35.40/Z2/2

◎NORDIC type

Dimming | Non-dimming

White	MMP-130S/5H/W/1N/N.M/40B27.30.35.40/N1/2
Matte black	MMP-130S/5H/M/1N/N.M/40B27.30.35.40/N1/2
Chrome	MMP-130S/5H/S/1N/N.M/40B27.30.35.40/N1/2

Additional Accesaries

• Lens Filter

Full-Diffuser lens filter
MLA-130/DF01



[data download](#)

Semi-Diffuser lens filter
MLA-130/DS02



[data download](#)

Full-spread lens filter
MLA-130/SF01



[data download](#)

Semi-Spread lens filter
MLA-130/SS01



[data download](#)

Edge-control lens filter
MLA-130/EC02



[data download](#)

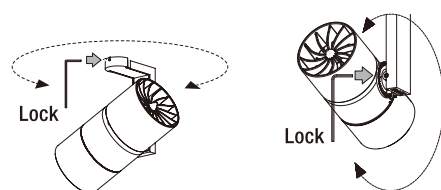
Sharpeners lens filter
MLA-130/SH01



[data download](#)

How to do tilt lock / pan lock

Each angle can be locked by allen wrench attached.



Light distribution

Narrow : 11°

N		11°					
H(ft)	E(ft-cd)	D(ft)	E(ft-cd)	2700K	3000K	3500K	4000K
3.28	3805	0.66		4161lm	4390lm	4488lm	4577lm
6.56	951	1.31		3.28ft	3607	3805	3890
9.84	423	1.97		6.56ft	902	951	973
13.12	238	2.62		9.84ft	401	423	432
				13.12ft	225	238	243

3000K / 4390Lm

Medium : 18°

M		18°					
H(ft)	E(ft-cd)	D(ft)	E(ft-cd)	2700K	3000K	3500K	4000K
3.28	2446	1.05		4161lm	4390lm	4488lm	4577lm
6.56	611	2.10		3.28ft	2318	2446	2501
9.84	272	3.15		6.56ft	580	611	625
13.12	153	4.20		9.84ft	258	272	278
				13.12ft	145	153	156

3000K / 4390Lm

Light distribution with Filter lighting[®]

Full-Diffuser lens filter | MLA-130/DF01

N		33°					
H(ft)	E(ft-cd)	D(ft)	E(ft-cd)	2700K	3000K	3500K	4000K
3.28	227	1.97		4161lm	4390lm	4488lm	4577lm
6.56	57	3.94		3.28ft	227	279	0.59
9.84	25	5.91		6.56ft	70	1.18	
13.12	14	7.87		9.84ft	31	1.77	
				13.12ft	17	2.36	

for Narrow

for Narrow 3000K / 4390Lm

for Medium 3000K / 4390Lm

Semi-Diffuser lens filter | MLA-130/DS02

N		25°					
H(ft)	E(ft-cd)	D(ft)	E(ft-cd)	2700K	3000K	3500K	4000K
3.28	505	1.48		4161lm	4390lm	4488lm	4577lm
6.56	126	2.95		3.28ft	505	539	1.61
9.84	56	4.43		6.56ft	135	3.22	
13.12	31	5.91		9.84ft	60	4.82	
				13.12ft	34	6.43	

for Narrow

for Narrow 3000K / 4390Lm

for Medium 3000K / 4390Lm

Full-spread lens filter | MLA-130/SF01

N		13°/30°					
H(ft)	E(ft-cd)	D(ft)	E(ft-cd)	2700K	3000K	3500K	4000K
3.28	813	0.75/1.80		4161lm	4390lm	4488lm	4577lm
6.56	203	1.51/3.61		3.28ft	713	1.02/1.97	
9.84	90	2.26/5.41		6.56ft	178	2.03/3.94	
13.12	51	3.02/7.22		9.84ft	79	3.05/5.91	
				13.12ft	46	4.07/7.87	

for Narrow

for Narrow 3000K / 4390Lm

for Medium 3000K / 4390Lm

Semi-Spread lens filter | MLA-130/SS01

N		13°/27°					
H(ft)	E(ft-cd)	D(ft)	E(ft-cd)	2700K	3000K	3500K	4000K
3.28	1291	0.75/1.61		4161lm	4390lm	4488lm	4577lm
6.56	323	1.51/3.22		3.28ft	1291	1.02/1.67	
9.84	143	2.26/4.82		6.56ft	290	2.03/3.35	
13.12	81	3.02/6.43		9.84ft	129	3.05/5.02	
				13.12ft	73	4.07/6.89	

for Narrow

for Narrow 3000K / 4390Lm

for Medium 3000K / 4390Lm

Edge-control lens filter | MLA-130/EC02

N		25°					
H(ft)	E(ft-cd)	D(ft)	E(ft-cd)	2700K	3000K	3500K	4000K
3.28	318	1.51		4161lm	4390lm	4488lm	4577lm
6.56	79	3.02		3.28ft	318	1.64	
9.84	35	4.53		6.56ft	86	3.28	
13.12	20	6.04		9.84ft	38	4.92	
				13.12ft	21	6.56	

for Narrow

for Narrow 3000K / 4390Lm

for Medium 3000K / 4390Lm

Sharpener lens filter | MLA-130/SH01

N		9°					
H(ft)	E(ft-cd)	D(ft)	E(ft-cd)	2700K	3000K	3500K	4000K
3.28	3103	0.52		4161lm	4390lm	4488lm	4577lm
6.56	776	1.05		3.28ft	3103	0.52	
9.84	345	1.57		6.56ft	776	1.05	
13.12	194	2.10		9.84ft	345	1.57	
				13.12ft	194	2.10	

for Narrow

for Narrow 3000K / 4390Lm

Narrow only

The attachment of the filters



- Remove the lock by sliding the body along the arrow direction, and detach the hood from the body.



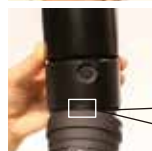
- Rotate the option holder in the hood along the arrow direction and take the option holder out from the hood.



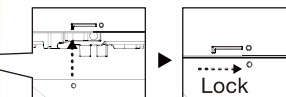
- Put the filter into the hood.
 - ※ up to 2 filters can be inserted.
 - ※ The sharpener lens are counted as 2 lens.



- Put back the option holder to the hood.



- Match the mark of the hood and the body and rotate the hood to lock.



Contact

Mosheo Corporation
 2B Airport Drive Ext. Hopedale, MA 01747
 Phone : +1-774-804-3283
 E-mail : ModuleXSales@Mosheocorp.com

ModuleX[®]