

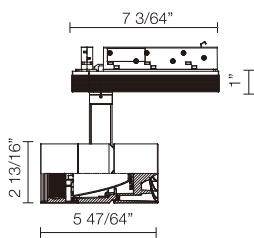
MMP-100S/1H



Products Specifications

· Input Voltage	AC120V
· Power consumption	39.9W(AC120V)
· Luminance flux	2819 ~ 3106lm
· Color rendering	CRI (Ra)=93(typ)
· Fixture's weight	1.8 lbs
· Light distribution	Narrow (11°) Medium (19°)
· Input current	0.334A (120V)
· Aiming distance	0.3m (11 13/16in)
· Tilting angle	100°
· Filter lighting [®]	2 Filters

Size

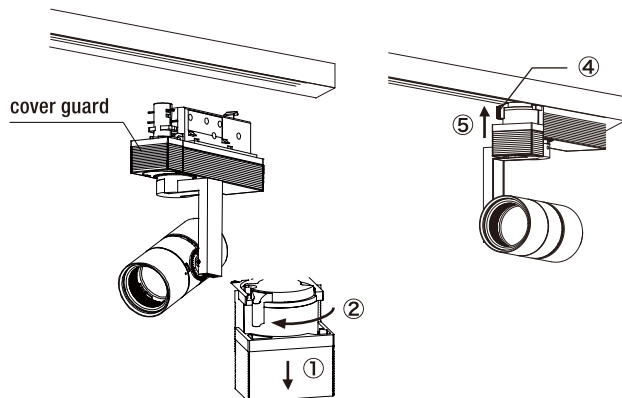


Track system designation

EUTRAC : Series 230,233
EUTRAC CORP NA
NORDIC : type TEK-44,48,412
NORDIC ALUMINIUM INC

· This fixture is compatible with 2-circuit track only.
The fixture attaches to both the left and right circuit rails of the track.
Please ensure that only one power feed is supplied to the track.

Installation



- ① Pull down the cover guard.
- ② Rotate the gear lever.
- ③ Push the driver box against the lighting rail.
- ④ Rotate the gear lever and lock it.
- ⑤ Push up the cover guard.

Product code

[ex : 10°Hood / White / EUTRACK type / Narrow 11° / 3000K]

MMP-100S/1H/W/1E/N/30B 30/Z2/ 2

Basic Product Series	Hood	Color	Track type	Light distribution	Light source	Color temperature	Driver type	Auth-entification
----------------------	------	-------	------------	--------------------	--------------	-------------------	-------------	-------------------

◎EUTRAC type

Dimming | 0-10V | 10-100%

White	MMP-100S/1H/W/1E/N.M/30B27.30.35.40/Z2/2
Matte black	MMP-100S/1H/M/1E/N.M/30B27.30.35.40/Z2/2
Chrome	MMP-100S/1H/S/1E/N.M/30B27.30.35.40/Z2/2

◎NORDIC type

Dimming | Non-dimming

White	MMP-100S/1H/W/1N/N.M/30B27.30.35.40/N1/2
Matte black	MMP-100S/1H/M/1N/N.M/30B27.30.35.40/N1/2
Chrome	MMP-100S/1H/S/1N/N.M/30B27.30.35.40/N1/2

Additional Accesaries

• Lens Filter

Full-Diffuser lens filter
MLA-100/DF01



[data download](#)

Semi-Diffuser lens filter
MLA-100/DS02



[data download](#)

Full-spread lens filter
MLA-100/SF01



[data download](#)

Semi-Spread lens filter
MLA-100/SS01



[data download](#)

Edge-control lens filter
MLA-100/EC02



[data download](#)

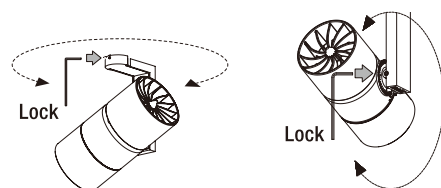
Sharpener lens filter
MLA-100/SH01



[data download](#)

How to do tilt lock / pan lock

Each angle can be locked by allen wrench attached.



Light distribution

Narrow : 11°

N	11°		E(ft-cd)			
	H(ft)	E(ft-cd)	2700K	3000K	3500K	4000K
	3.28	2505	2700K	3000K	3500K	4000K
	6.56	626	2819lm	2981lm	3045lm	3106lm
	9.84	278	2369	2505	2559	2610
	13.12	157	6.56ft	592	626	640
			9.84ft	263	278	284
			13.12ft	148	157	160

3000K / 2981Lm

Medium : 19°

M	19°		E(ft-cd)			
	H(ft)	E(ft-cd)	2700K	3000K	3500K	4000K
	3.28	1576	2700K	3000K	3500K	4000K
	6.56	394	2819lm	2981lm	3045lm	3106lm
	9.84	175	1491	1576	1610	1642
	13.12	98	6.56ft	373	394	402
			9.84ft	166	175	179
			13.12ft	93	98	101

3000K / 2981Lm

Light distribution

Full-Diffuser lens filter | MLA-100/DF01

N	51°		E(ft-cd)			
	H(ft)	E(ft-cd)	2700K	3000K	3500K	4000K
	3.28	136	2700K	3000K	3500K	4000K
	6.56	34	1466cd	1928cd	1928cd	1928cd
	9.84	15	8	11	11.55	11.55
	13.12	8	12.73	11	11.55	11.55

for Narrow

for Narrow 3000K / 2981Lm

for Medium 3000K / 2981Lm

Semi-Diffuser lens filter | MLA-100/DS02

N	35°		E(ft-cd)			
	H(ft)	E(ft-cd)	2700K	3000K	3500K	4000K
	3.28	341	2700K	3000K	3500K	4000K
	6.56	85	3666cd	4066cd	4066cd	4066cd
	9.84	38	21	24	24	24
	13.12	21	8.40	8.40	8.40	8.40

for Narrow

for Narrow 3000K / 2981Lm

for Medium 3000K / 2981Lm

Full-spread lens filter | MLA-100/SF01

N	13°/52°		E(ft-cd)			
	H(ft)	E(ft-cd)	2700K	3000K	3500K	4000K
	3.28	537	2700K	3000K	3500K	4000K
	6.56	134	5780cd	5031cd	5031cd	5031cd
	9.84	60	34	29	29	29
	13.12	34	12.99	4.59	4.59	4.59

for Narrow

for Narrow 3000K / 2981Lm

for Medium 3000K / 2981Lm

Semi-Spread lens filter | MLA-100/SS01

N	13°/34°		E(ft-cd)			
	H(ft)	E(ft-cd)	2700K	3000K	3500K	4000K
	3.28	873	2700K	3000K	3500K	4000K
	6.56	218	9396cd	8415cd	8415cd	8415cd
	9.84	97	55	49	49	49
	13.12	55	8.27	4.59	4.59	4.59

for Narrow

for Narrow 3000K / 2981Lm

for Medium 3000K / 2981Lm

Edge-control lens filter | MLA-100/EC02

N	35°		E(ft-cd)			
	H(ft)	E(ft-cd)	2700K	3000K	3500K	4000K
	3.28	234	2700K	3000K	3500K	4000K
	6.56	58	2515cd	2873cd	2873cd	2873cd
	9.84	26	15	17	17	17
	13.12	15	8.40	8.53	8.53	8.53

for Narrow

for Narrow 3000K / 2981Lm

for Medium 3000K / 2981Lm

Sharpener lens filter | MLA-100/SH01

N	9°		E(ft-cd)			
	H(ft)	E(ft-cd)	2700K	3000K	3500K	4000K
	3.28	2043	2700K	3000K	3500K	4000K
	6.56	511	21993cd	21993cd	21993cd	21993cd
	9.84	227	1.57	1.57	1.57	1.57
	13.12	128	2.10	2.10	2.10	2.10

for Narrow

for Narrow 3000K / 2981Lm

Narrow only

The attachment of the filters



- Remove the lock by sliding the body along the arrow direction, and detach the hood from the body.



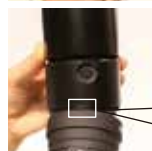
- Rotate the option holder in the hood along the arrow direction and take the option holder out from the hood.



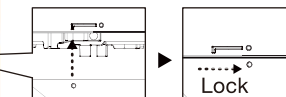
- Put the filter into the hood.
 - ※ up to 2 filters can be inserted.
 - ※ The sharpener lens are counted as 2 lens.



- Put back the option holder to the hood.



- Match the mark of the hood and the body and rotate the hood to lock.



Contact

Mosheo Corporation
 2B Airport Drive Ext. Hopedale, MA 01747
 Phone : +1-774-804-3283
 E-mail : ModuleXSales@MosheoCorp.com

ModuleX[®]