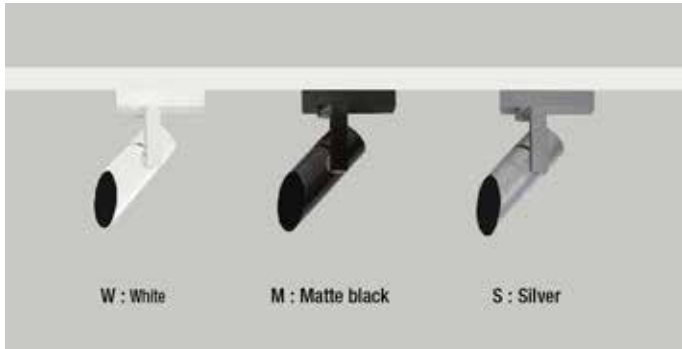


MMP-080S/SH



Product code

[ex : Slant Hood / White / EUTRAC type / Narrow 11° / 3000K]

MMP-080S/SH/W/1E/N/10B 30/Z2 / 2

Basic Product Series	Hood	Color	Track type	Light distribution	Light source	Color temperature	Driver type	Auth-entification
----------------------	------	-------	------------	--------------------	--------------	-------------------	-------------	-------------------

◎EUTRAC type

Dimming | 0-10V | 10-100%

White	MMP-080S/SH/W/1E/N.M/10B27.30.35.40/Z2/2
Matte black	MMP-080S/SH/M/1E/N.M/10B27.30.35.40/Z2/2
Chrome	MMP-080S/SH/S/1E/N.M/10B27.30.35.40/Z2/2

◎NORDIC type

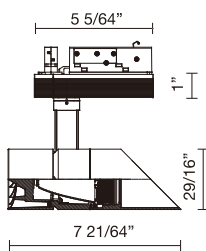
Dimming | Non-dimming

White	MMP-080S/SH/W/1N/N.M/10B27.30.35.40/N1/2
Matte black	MMP-080S/SH/M/1N/N.M/10B27.30.35.40/N1/2
Chrome	MMP-080S/SH/S/1N/N.M/10B27.30.35.40/N1/2

Products Specifications

- Input Voltage AC120V
- Power consumption 21.8W(AC120V)
- Luminance flux 1,630 ~ 1,796 lm
- Color rendering CRI (Ra)=93(typ)
- Fixture's weight 1.38 lbs
- Light distribution Narrow (11°) Medium (19°)
- Input current 0.183A (120V)
- Aiming distance 0.2m (7 7/8 in)
- Tilting angle 100°
- Filter lighting[®] 2 Filters

Size



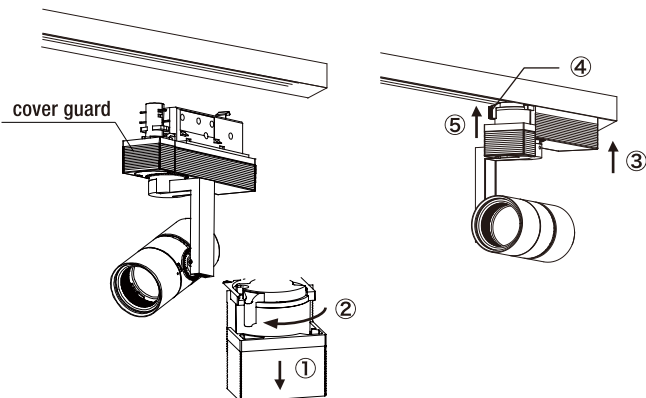
Track system designation

EUTRAC : Series 230,233
EUTRAC CORP NA

NORDIC : type TEK-44,48,412
NORDIC ALUMINIUM INC

· This fixture is compatible with 2-circuit track only.
The fixture attaches to both the left and right circuit rails of the track.
Please ensure that only one power feed is supplied to the track.

Installation



- ① Pull down the cover guard.
- ② Rotate the gear lever.
- ③ Push the driver box against the lighting rail.
- ④ Rotate the gear lever and lock it.
- ⑤ Push up the cover guard.

Additional Accesaries

• Lens Filter

Full-Diffuser lens filter
MLA-080/DF01



[data download](#)

Semi-Diffuser lens filter
MLA-080/DS03



[data download](#)

Full-spread lens filter
MLA-080/SF01



[data download](#)

Semi-Spread lens filter
MLA-080/SS01



[data download](#)

Edge-control lens filter
MLA-080/EC02



[data download](#)

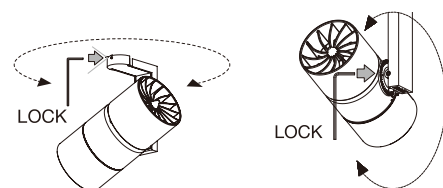
Sharpener lens filter
MLA-080/SH01



[data download](#)

How to do tilt lock / pan lock

Each angle can be locked by allen wrench attached.



Light distribution

Narrow : 11°

N		11°		E(ft-cd)			
H(ft)	E(ft-cd)	D(ft)	2700K	3000K	3500K	4000K	
3.28	1617	0.66	1630lm	1720lm	1760lm	1796lm	
6.56	404	1.31	3.28ft	1533	1617	1655	1689
9.84	180	1.97	6.56ft	383	404	414	422
13.12	101	2.62	9.84ft	170	180	184	188
			13.12ft	96	101	103	106

3000K / 1720Lm

Medium : 19°

M		19°		E(ft-cd)			
H(ft)	E(ft-cd)	D(ft)	2700K	3000K	3500K	4000K	
3.28	810	1.15	1630lm	1720lm	1760lm	1796lm	
6.56	203	2.30	3.28ft	768	810	829	846
9.84	90	3.44	6.56ft	192	203	207	211
13.12	51	4.59	9.84ft	85	90	92	94
			13.12ft	48	51	52	53

3000K / 1720Lm

Light distribution with Filter lighting[®]

Full-Diffuser lens filter | MLA-080/DF01

N		47°/52°		E(ft-cd)			
H(ft)	E(ft-cd)	D(ft)	2700K	3000K	3500K	4000K	
3.28	81	2.89/3.22	1630lm	1720lm	1760lm	1796lm	
6.56	20	5.74/6.43	3.28ft	81	86	88	90
9.84	9	8.86/9.65	6.56ft	38	40	41	42
13.12	5	11.53/12.86	9.84ft	18	19	20	21
			13.12ft	9	10	10	11

for Narrow

for Narrow 3000K / 1720Lm

for Medium 3000K / 1720Lm

Semi-Diffuser lens filter | MLA-080/DS01

N		32°/34°		E(ft-cd)			
H(ft)	E(ft-cd)	D(ft)	2700K	3000K	3500K	4000K	
3.28	247	2.03/1.84	1630lm	1720lm	1760lm	1796lm	
6.56	62	4.07/3.87	3.28ft	768	810	829	846
9.84	27	6.10/5.81	6.56ft	192	203	207	211
13.12	15	8.14/7.74	9.84ft	85	90	92	94
			13.12ft	48	51	52	53

for Narrow

for Narrow 3000K / 1720Lm

for Medium 3000K / 1720Lm

Full-spread lens filter | MLA-080/SF01

N		12°/42°		E(ft-cd)			
H(ft)	E(ft-cd)	D(ft)	2700K	3000K	3500K	4000K	
3.28	342	0.72/2.53	1630lm	1720lm	1760lm	1796lm	
6.56	86	1.44/5.05	3.28ft	81	86	88	90
9.84	38	2.17/7.58	6.56ft	38	40	41	42
13.12	21	2.83/10.10	9.84ft	18	19	20	21
			13.12ft	9	10	10	11

for Narrow

for Narrow 3000K / 1720Lm

for Medium 3000K / 1720Lm

Semi-Spread lens filter | MLA-080/SS01

N		13°/33°		E(ft-cd)			
H(ft)	E(ft-cd)	D(ft)	2700K	3000K	3500K	4000K	
3.28	548	0.75/1.97	1630lm	1720lm	1760lm	1796lm	
6.56	137	1.51/3.94	3.28ft	768	810	829	846
9.84	61	2.26/5.91	6.56ft	192	203	207	211
13.12	34	3.02/7.87	9.84ft	85	90	92	94
			13.12ft	48	51	52	53

for Narrow

for Narrow 3000K / 1720Lm

for Medium 3000K / 1720Lm

Edge-control lens filter | MLA-080/EC01

N		32°/35°		E(ft-cd)			
H(ft)	E(ft-cd)	D(ft)	2700K	3000K	3500K	4000K	
3.28	141	1.94/2.10	1630lm	1720lm	1760lm	1796lm	
6.56	35	3.87/4.20	3.28ft	81	86	88	90
9.84	16	5.81/6.30	6.56ft	38	40	41	42
13.12	9	7.74/8.40	9.84ft	18	19	20	21
			13.12ft	9	10	10	11

for Narrow

for Narrow 3000K / 1720Lm

for Medium 3000K / 1720Lm

Sharpener lens filter | MLA-080/SH01

N		9°		E(ft-cd)			
H(ft)	E(ft-cd)	D(ft)	2700K	3000K	3500K	4000K	
3.28	1389	0.56	1630lm	1720lm	1760lm	1796lm	
6.56	347	1.12	3.28ft	81	86	88	90
9.84	154	1.67	6.56ft	38	40	41	42
13.12	87	2.23	9.84ft	18	19	20	21
			13.12ft	9	10	10	11

for Narrow

for Narrow 3000K / 1720Lm

Narrow only

The attachment of the filters



- Remove the lock by sliding the body along the arrow direction, and detach the hood from the body.



- Rotate the option holder in the hood along the arrow direction and take the option holder out from the hood.



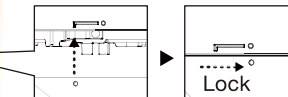
- Put the filter into the hood.
 - ※ up to 2 filters can be inserted.
 - ※ The sharper lens are counted as 2 lens.



- Put back the option holder to the hood.



- Match the mark of the hood and the body and rotate the hood to lock.



Contact

Mosheo Corporation
 2B Airport Drive Ext. Hopedale, MA 01747
 Phone : +1-774-804-3283
 E-mail : ModuleXSales@MosheoCorp.com