

# MMP-060F



### Product code

[ ex : Chrome cone /White trim / Wide 48° / 3000K ]

## MMP-060F/CC/SWF/W/10A30/T1/ 2

Basic Product Series	Cone color	Trim color	Light distribution	Light source	Color temperature	Driver type	Auth-entification
----------------------	------------	------------	--------------------	--------------	-------------------	-------------	-------------------

◉Dimming | Phase control | 10-100%

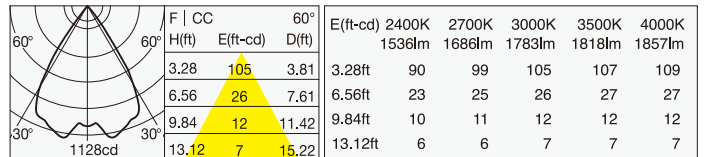
White	MMP-060F/WC/SWF/F.W.M/ 10A24.27.30.35.40/T1/2
Matte black	MMP-060F/MC/SWF.SMF/F.W.M/ 10A24.27.30.35.40/T1/2
Chrome	MMP-060F/CC/SWF.SMF/F.W.M/ 10A24.27.30.35.40/T1/2

### Products Specifications

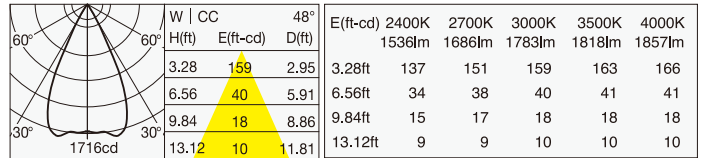
- Input Voltage AC120 ~ 277V
- Power consumption 21.7W(AC120V) / 22.2W(AC277V)
- Luminance flux 1,536 ~ 1,857lm
- Color rendering CRI (Ra)=93(typ)
- Fixture's weight 1.21lbs
- Light distribution Wide(60°) Wide(48°) Medium (34°)
- Input current 0.5A
- Aiming distance 0.2m (7 7/8in)
- Ceiling thickness 23/64 ~ 63/64in
- Glare cut off angle 30°

### Light distribution (Chrome cone)

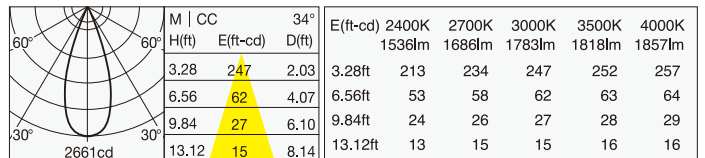
#### Wide : 60°



#### Wide : 48°

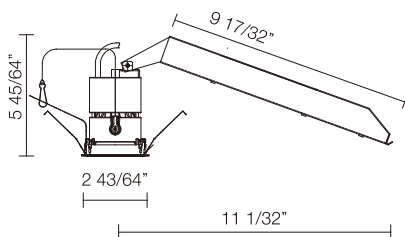


#### Medium : 34°

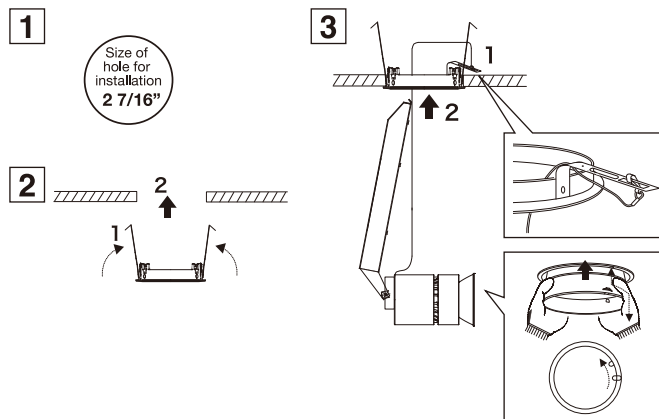


### Size

Size of hole for installation  
2 7/16"



### Installation



**Contact** **Mosheo Corporation**  
 2B Airport Drive Ext. Hopedale,  
 MA 01747  
 Phone : +1-774-804-3283  
 E-mail : [ModuleXSales@Mosheocorp.com](mailto:ModuleXSales@Mosheocorp.com)

