

MPP-10/0300/COS/R MPP-10/0300/COS/J MPP-10/0300/COS/L
 MPP-10/0600/COS/R MPP-10/0600/COS/J MPP-10/0600/COS/L
 MPP-10/1200/COS/R MPP-10/1200/COS/J MPP-10/1200/COS/L

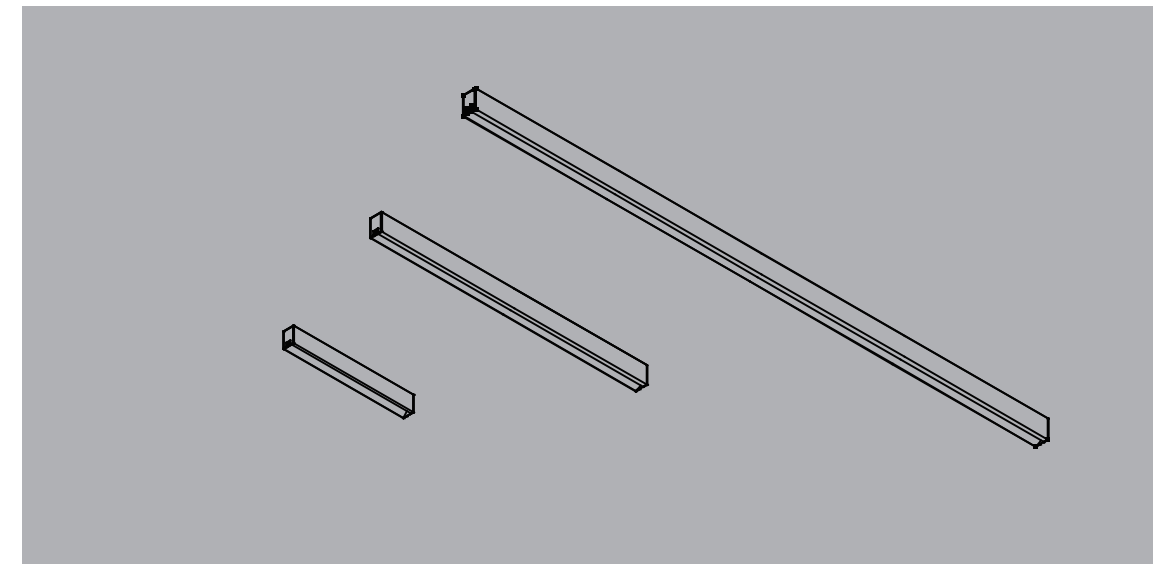
			(For connecting right end)	Weight MPP-10/0300/COS/R 0.370kg MPP-10/0300/COS/J 0.370kg MPP-10/0300/COS/L 0.370kg
			(For intermediate connection)	MPP-10/0600/COS/R 0.730kg MPP-10/0600/COS/J 0.730kg MPP-10/0600/COS/L 0.730kg
			(For connecting left end)	MPP-10/1200/COS/R 1.450kg MPP-10/1200/COS/J 1.450kg MPP-10/1200/COS/L 1.450kg
Use only with class2 power unit				

To install the fixture safely 《 Read carefully and follow all the instructions in the guide 》

⚠ Warning : Failure to install the fixture properly could result in personal injury.		⊘ : Prohibited
⚠ Caution : Failure to install the fixture properly could result in property damage.		⊘ : Strict observance
Before installation	⚠ Warning	<p>The fixture is for indoor use only in normal conditions. Can not be used under following conditions (Causes of falling, electrocution and fire)</p> <ul style="list-style-type: none"> ● Inclined, uneven surface ● High humidity ● Outside ● On the floor ● Vibrated or shocked areas ● Areas get direct sunlight ● Insulated inside of ceiling ● Ceiling which can't hold the fixture weight ● On the wall ● Places affected by wind or air-conditioner machine ● Near fire ● Dusty areas, corrosive gas outbreaks areas ● Ambient temperature under 0°C and over 35°C <p>Please contact if you are not able to judge whether installation environment is suitable or not.</p>
	⚠ Caution	<p>Please follow the fixtures' indication or specification for the distance of irradiated area. (Causes of change in shape and color of irradiated objects)</p>
For electric wiring	⚠ Warning	<p>Only qualified person is allowed to work on electric wiring and equipment. (Cause of accidents)</p> <p>Use only specified power unit. Please follow rating plate of fixtures for power supply frequency. (Cause of electrification · fire) (50Hz · 60 Hz common use for ballasts and incandescent lamp fixtures)</p> <p>Be sure power supply voltage is within ±6% mentioned in rating plate or the guide. (Causes of short life of lamps · electrification · fire)</p> <p>Be sure all the wires and codes are not damaged. (Causes of falling · damage)</p>
	⚠ Warning	<p>Please follow the fixtures' instruction or this guide to install the fixture and lamp. (Causes of falling · electrification · fire)</p> <p>Switch off the power when installing fixture and the lamp. (Causes of electrification)</p> <p>Do not touch the fixture when switch is on or just turn off the switch because of high temperature.(Cause of burn)</p> <p>Do not put or cover the fixture by any cloths, papers, or insulators.(Causes of not lighting · fire)</p> <p>Do not place any metallic or flammable objects. (Cause of electrification · fire · broken fixture)</p> <p>Make sure to install all the parts of fixtures besides installation and mounting parts will not touch with any objects both inside and outside of ceiling such as lighting track, etc. (Causes of falling · electrification · fire)</p> <p>Do not dismount or remodel fixtures. (Cause of electrification · fire · falling · broken fixtures)</p> <p>Do not operate with wet hands.(Cause of electric shock)</p> <p>If you smell smoke, see smoke, or find anything unusual, please turn the switch off and ask construction companies to repair. (Cause of electrification · fire)</p>
	⚠ Caution	<p>Make sure heat from the fixture will not affect any fire prevention systems such as sprinkler by heat from the fixture. (Causes for improper operation)</p>

ModuleX

Installation Guide | Lighting Fixture



INSTRUCTIONS PERTAINING TO A RISK OF FIRE OR INJURY TO PERSONS
 IMPORTANT SAFETY INSTRUCTIONS

MPP-10/0300/COS/R MPP-10/0300/COS/J MPP-10/0300/COS/L
 MPP-10/0600/COS/R MPP-10/0600/COS/J MPP-10/0600/COS/L
 MPP-10/1200/COS/R MPP-10/1200/COS/J MPP-10/1200/COS/L

Installation Details		Installation Diagram	Caution
1	Power unit installation For connecting power to the output side of the power unit connect Power connection DC cable. (Be careful not to mistake the polarity when wiring : See figure)		
	When crimping, be sure to cut off the solder and crimp it. (Cause of poor crimp contact)		
2	Install the power supply unit according to the technical standards of electricity.		
	According to the attached label connect Power connection DC cable and Power unit according to the attached label.		
1	Lighting fixture installation (Recessed, Ceiling mount)		
	After open the safety wire mounting bracket and attach the safety wire.		
2	Install so that the irradiation surface is facing to the wall.		
	Connect the power unit side connector and the first instrument side connector.		
3	Always turn off the power Please work.		
	After connection Make sure the connector is locked, check that it does not come off.		
4	After connecting all fixtures by connector bent the safety wire mounting bracket upward.		
	After aligning the lighting fixture and the end of the mounting frame, attach the fixture so that there is no gap.		
5	Install so that the connector does not tilt.		
	Install so that there is no gap between the lighting fixture.		
5	Make sure that the lighting fixture is installed so that it does not protrude from the frame.		

Precautions	Contents																																																												
Power consumption per fixture length	Total length of equipment that can be used by Power unit .																																																												
	<table border="1"> <thead> <tr> <th>Instrument model number</th> <th>Input voltage (V)</th> <th>Power consumption (W)</th> </tr> </thead> <tbody> <tr> <td>MPP-10/0300/COS/R MPP-10/0300/COS/J MPP-10/0300/COS/L</td> <td>DC 24</td> <td>7.4</td> </tr> <tr> <td>MPP-10/0600/COS/R MPP-10/0600/COS/J MPP-10/0600/COS/L</td> <td>DC 24</td> <td>14.8</td> </tr> <tr> <td>MPP-10/1200/COS/R MPP-10/1200/COS/J MPP-10/1200/COS/L</td> <td>DC 24</td> <td>29.6</td> </tr> </tbody> </table> <table border="1"> <thead> <tr> <th>Full length</th> <th>mm</th> <th>300</th> <th>600</th> <th>900</th> <th>1200</th> <th>1500</th> <th>1800</th> <th>2100</th> <th>2400</th> </tr> </thead> <tbody> <tr> <td rowspan="2">Power consumption (W)</td> <td>Wall washer</td> <td>7.4</td> <td>14.8</td> <td>22.2</td> <td>29.6</td> <td>37.0</td> <td>44.4</td> <td>51.8</td> <td>59.2</td> </tr> <tr> <td>Foundation</td> <td>14.8</td> <td>29.6</td> <td>44.4</td> <td>59.2</td> <td>74.0</td> <td>88.8</td> <td>103.6</td> <td>118.4</td> </tr> </tbody> </table> <table border="1"> <thead> <tr> <th>Full length</th> <th>mm</th> <th>2700</th> <th>3000</th> <th>3300</th> <th>3600</th> <th>~7200</th> </tr> </thead> <tbody> <tr> <td rowspan="2">Power consumption (W)</td> <td>Wall washer</td> <td>66.6</td> <td>74.0</td> <td>81.4</td> <td>88.8</td> <td>~177.6</td> </tr> <tr> <td>Foundation</td> <td>133.2</td> <td>148.0</td> <td>162.8</td> <td>177.6</td> <td>~355.2</td> </tr> </tbody> </table>	Instrument model number	Input voltage (V)	Power consumption (W)	MPP-10/0300/COS/R MPP-10/0300/COS/J MPP-10/0300/COS/L	DC 24	7.4	MPP-10/0600/COS/R MPP-10/0600/COS/J MPP-10/0600/COS/L	DC 24	14.8	MPP-10/1200/COS/R MPP-10/1200/COS/J MPP-10/1200/COS/L	DC 24	29.6	Full length	mm	300	600	900	1200	1500	1800	2100	2400	Power consumption (W)	Wall washer	7.4	14.8	22.2	29.6	37.0	44.4	51.8	59.2	Foundation	14.8	29.6	44.4	59.2	74.0	88.8	103.6	118.4	Full length	mm	2700	3000	3300	3600	~7200	Power consumption (W)	Wall washer	66.6	74.0	81.4	88.8	~177.6	Foundation	133.2	148.0	162.8	177.6
Instrument model number	Input voltage (V)	Power consumption (W)																																																											
MPP-10/0300/COS/R MPP-10/0300/COS/J MPP-10/0300/COS/L	DC 24	7.4																																																											
MPP-10/0600/COS/R MPP-10/0600/COS/J MPP-10/0600/COS/L	DC 24	14.8																																																											
MPP-10/1200/COS/R MPP-10/1200/COS/J MPP-10/1200/COS/L	DC 24	29.6																																																											
Full length	mm	300	600	900	1200	1500	1800	2100	2400																																																				
Power consumption (W)	Wall washer	7.4	14.8	22.2	29.6	37.0	44.4	51.8	59.2																																																				
	Foundation	14.8	29.6	44.4	59.2	74.0	88.8	103.6	118.4																																																				
Full length	mm	2700	3000	3300	3600	~7200																																																							
Power consumption (W)	Wall washer	66.6	74.0	81.4	88.8	~177.6																																																							
	Foundation	133.2	148.0	162.8	177.6	~355.2																																																							
	<p>※Note</p> <p>When connecting, lighting equipment can be connected with connectors, but the total length of connections should be within 2.4m. Exceeding 2.4m may cause equipment failure. When connecting more than 2.4m, connect to the power unit in 2 circuits.</p>																																																												
	<p>Equipment that can be attached to the recessed frame and direct mounting plate</p> <p>300 types </p> <p>Installable instruments </p> <hr/> <p>600 types </p> <p>Installable instruments </p> <hr/> <p>1200 types </p> <p>Installable instruments </p> <p>Note: 300 instruments cannot be installed on 1200 mounting frames</p>																																																												

■Equipment life

Lighting fixtures have a lifetime.

After 8 to 10 years of installation, internal deterioration has progressed even if there is no abnormality in the appearance. Check and replace.

※Operating conditions are ambient temperature 30°C, lighting for 10 hours a day, lighting for 3000 hours a year.
(according to JIS C 8105-1 explanation)

- If the ambient temperature is high or the lighting time is long, the life time will be shortened.
- Please receive an inspection by a specialist such as a construction shop once every three years.
If you continue to use the product without checking it, there is a risk of fire, electric shock, or falling.

■About warranty

Warranty period

We have a unique long-term warranty period.

Warranty details

If a product malfunctions, we will repair or replace it free of charge depending on the warranty period and conditions for each product. Damages by the installation of lighting fixtures and construction-related materials are not covered by the warranty.

Request for repair

If the warranty period has expired or the warranty conditions are not met, repairs will be charged.

Warranty conditions

Detailed warranty conditions are described in the "Warranty".

※For details, please contact our sales staff.

■After-sales service

If you have any questions regarding repair or any questions, please contact the store where you purchased the product or our sales office.

ModuleX

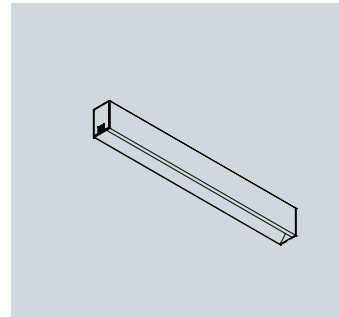
ModuleX Maintenance

MPP-10/0300/COS/R MPP-10/0300/COS/J MPP-10/0300/COS/L
MPP-10/0600/COS/R MPP-10/0600/COS/J MPP-10/0600/COS/L
MPP-10/1200/COS/R MPP-10/1200/COS/J MPP-10/1200/COS/L

Maintenance guide

PRISM Wall washer downlight

MPP-10/0300/COS/R MPP-10/0300/COS/J MPP-10/0300/COS/L
 MPP-10/0600/COS/R MPP-10/0600/COS/J MPP-10/0600/COS/L
 MPP-10/1200/COS/R MPP-10/1200/COS/J MPP-10/1200/COS/L



Power consumption
 MMP-10/0300/COS/R,J,L 7.4W
 MMP-10/0600/COS/R,J,L 14.8W
 MMP-10/1200/COS/R,J,L 29.6W

Dedicated light source

Color temperature 2400K
 2700K
 3000K
 3500K
 4000K

※Please contact us when replacing the light source.

power unit sold separately

※Only a qualified person (electrician) should replace the power unit.




<Be sure to check> for safe maintenance	
⚠	WARNING: Misuse can cause personal injury.
⚠	Caution: Misuse can cause property damage.
⚠	⊘ : Prohibited matter
⚠	⚠ : Strictly observe matters
Warning	⚠ Install the instrument and options securely according to the instrument display or this manual. (Cause of falling, electric shock, fire)
	⊘ Do not touch the appliance during lighting or immediately after it is turned off due to the high temperature (cause of burns)
	⊘ Do not place or cover cloth, paper, or heat insulation material on the equipment.
	⊘ Do not put metal or flammable objects in the gaps between appliances (cause of electric shock, fire, and appliances)
	⚠ Make sure that the outer shell of the main unit other than the fixture mounting part does not come into contact with the construction materials and ducts inside and outside the ceiling. (Cause of falling, electric shock, fire)
	⊘ Do not disassemble or modify the instrument (cause of electric shock, fire, drop, or malfunction)
	⊘ Do not work with wet hands (cause of electric shock)
	⚠ If you feel an abnormality such as smoke or odor, immediately turn off the power and ask a construction shop to repair it (cause of electric shock or fire)
caution	⚠ Be sure to turn off the power before connecting or disconnecting the connector.
	⚠ Install the sprinkler and other fire prevention equipment so that the heat of the instrument does not affect it (cause of malfunction).

About instrument maintenance

Installation Details	Installation Diagram	Caution
<p style="text-align: center; border: 1px solid black; display: inline-block; padding: 2px;">Recessed frames</p>		⚠ ^e
<p>1 Remove the lighting fixture from the ceiling Insert a flathead screwdriver into the groove of the cone and remove the lighting fixture. Pull the lighting fixture down from the frame.</p>		
⚠ ^e		⚠ ^f
<p>Please note that applying excessive force may damage the lighting fixture.</p>		
<p>2 Remove the connector while hanging with the safety wire.</p>	<p>※1 Insert into the groove (enlarged view)</p>	
⚠ ^f		
<p>While pressing the release button on the power unit side of the connector, remove it.</p>		
<p>3 Remove safety wire one by one.</p>		
⚠ ^g		⚠ ^g
<p style="text-align: center; border: 1px solid black; display: inline-block; padding: 2px;">Mounting plate</p>		
<p>1 Tilt the lighting fixture and pull it down when the spring comes off.</p>		
⚠ ^g		
<p>Tilt around the corner of the lighting fixture. If it is pulled down directly below, the lighting fixture may be damaged.</p>		
<p>2 Remove the connector while hanging with the safety wire.</p>		
<p>3 Remove safety wire one by one.</p>		

PRISM Spot encastrable au mur (Matériel d'éclairage pour cadres muraux)

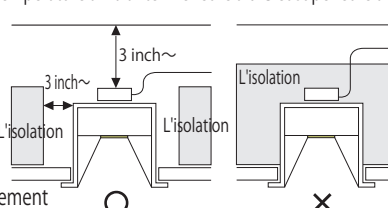
MPP-10/0300/COS/R MPP-10/0300/COS/J MPP-10/0300/COS/L
 MPP-10/0600/COS/R MPP-10/0600/COS/J MPP-10/0600/COS/L
 MPP-10/1200/COS/R MPP-10/1200/COS/J MPP-10/1200/COS/L

	(Pour connecter l'extrémité droite)	MPP-10/0300/COS/R 0.370kg MPP-10/0300/COS/J 0.370kg MPP-10/0300/COS/L 0.370kg
	(Pour connexion intermédiaire)	MPP-10/0600/COS/R 0.730kg MPP-10/0600/COS/J 0.730kg MPP-10/0600/COS/L 0.730kg
	(Pour connecter l'extrémité gauche)	MPP-10/1200/COS/R 1.450kg MPP-10/1200/COS/J 1.450kg MPP-10/1200/COS/L 1.450kg

Poids

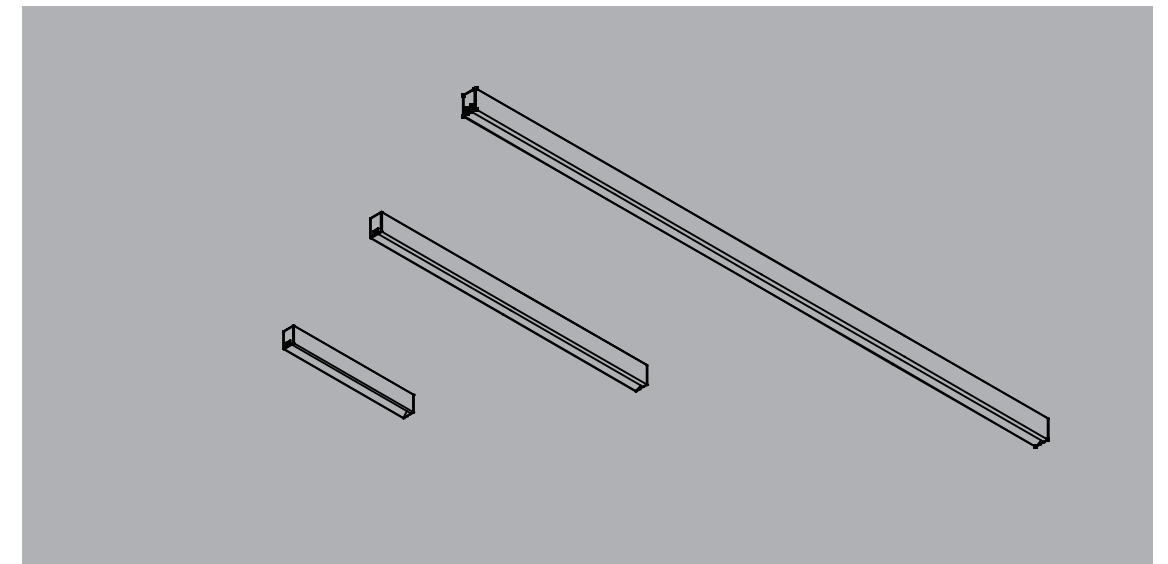
Utiliser uniquement avec classe2 Unité de puissance

Pour installer l'appareil en toute sécurité «Lire attentivement et suivez toutes les instructions du guide»

⚠ Attention : Ne pas installer l'appareil correctement peut entraîner des blessures.		⊘ : interdit
⚠ Avertissement : Le fait de ne pas installer le appareil d'éclairage correctement peut entraîner des dommages matériels.		⚠ : à observer strictement
Avant l'installation	⚠ Attention	<p>Le dispositif est destiné à être utilisé à l'intérieur seulement, dans des conditions normales. Ne peut pas être utilisé dans les conditions suivantes (causes de chutes, électrodes et incendies)</p> <ul style="list-style-type: none"> ● Surface inclinée, inégale ● Taux d'humidité élevé ● À l'extérieur ● Au sol ● Zones avec des vibrations ou des chocs ● Zones exposées à la lumière directe du soleil ● Où le plafond est isolé ● Plafond qui ne peut pas supporter le poids de l'appareil ● Sur le mur ● Endroits exposés au vent ou à des climatiseurs ● Près d'un feu ● Zones poussiéreuses, zones de sortie de gaz corrosifs <p>Température ambiante inférieure à 0°C et supérieure à 35 °C</p> <p>⚠ Veuillez demander un avis si vous ne pouvez pas juger par vous-même si l'environnement d'installation propose des emplacements adaptés.</p> 
	⚠ Avertissement	⚠ Veuillez suivre les indications ou les spécifications de l'appareil à propos de la distance de la zone de rayonnement. (Causes de changement de forme, de changement de couleur des objets dans le rayonnement)
Pour le câblage électrique	⚠ Attention	⚠ Seule une personne qualifiée peut travailler sur le câblage et l'équipement électriques. (Cause d'accidents)
	⚠	⚠ Utilisez uniquement le bloc d'alimentation spécifié. Veuillez suivre la plaque signalétique des appareils pour la fréquence d'alimentation électrique. (Cause d'électrification/feu) (50Hz · 60Hz usage courant pour des ballasts et des appareils à lampe incandescente)
	⚠	⚠ Assurez-vous que la tension d'alimentation est de ± 6 % de celle mentionnée dans la plaque signalétique ou le guide. (Causes de courte durée des lampes/électrification/feu)
	⚠	⚠ Assurez-vous que tous les câbles et les codes ne sont pas endommagés. (Causes de chute/dégât)
Lors de l'installation de l'appareil d'éclairage	⚠ Attention	⚠ Veuillez suivre les instructions de l'appareil ou ce guide pour installer l'appareil et la lampe. (Causes de chute/électrification/feu)
	⚠	⚠ Couper l'alimentation lors de l'installation de la lampe. (Causes de choc électrique)
	⊘	⊘ Ne toucher pas l'appareil lorsque l'interrupteur est sur marche ou que vous venez juste de mettre l'interrupteur sur arrêt à cause de la température élevée. (Causes des brûlures)
	⊘	⊘ Ne pas mettre ou couvrir l'appareil de chiffons, papiers ou isolants. (Causes de non éclairage/feu)
	⊘	⊘ Ne pas placer d'objets métalliques ou inflammables. (Cause de choc électrique/feu/appareil cassé)
	⚠	⚠ S'assurer que toutes les pièces des appareils en plus de celles de l'installation et du montage ne toucheront aucun des objets à la fois à l'intérieur et à l'extérieur du plafond, tels qu'une rampe d'éclairage, etc. (Causes de chute/choc électrique/feu)
	⊘	⊘ Ne pas démonter ou modifier les appareils. (Cause de choc électrique/feu/chute/destruction des appareils)
	⊘	⊘ Ne pas manipuler avec les mains mouillées. (Causes de choc électrique)
	⚠	⚠ Si vous sentez une odeur de fumée, si vous voyez de la fumée ou remarquez quelque chose d'inhabituel, veuillez éteindre l'interrupteur et demandez aux entreprises de construction de réparer. (Cause d'électrification/feu)
⚠ Attention	⚠ S'assurer que la construction n'affectera aucun système de prévention d'incendie, comme une installation fixe d'extinction automatique à eau (sprinkler) qui fonctionne en cas de chaleur provenant de l'appareil. (Causes de mauvais fonctionnement)	

ModuleX

Guide d'installation | Appareil d'éclairage



INSTRUCTIONS CONCERNANT UN RISQUE D'INCENDIE OU DE BLESSURE POUR DES PERSONNES INSTRUCTIONS DE SÉCURITÉ IMPORTANTES

MPP-10/0300/COS/R MPP-10/0300/COS/J MPP-10/0300/COS/L
 MPP-10/0600/COS/R MPP-10/0600/COS/J MPP-10/0600/COS/L
 MPP-10/1200/COS/R MPP-10/1200/COS/J MPP-10/1200/COS/L

Détails de l'installation		Schéma d'installation		Avertissement	
1	Installation du bloc d'alimentation Pour connecter l'alimentation à la sortie de l'unité d'alimentation, connectez le câble CC de connexion d'alimentation. (Attention à ne pas confondre la polarité lors du câblage: voir figure)				
	Lors du sertissage, assurez-vous de couper la soudure et de la serrer. (Cause d'un mauvais contact de sertissage) Selon l'étiquette jointe, connectez le câble DC de la connexion d'alimentation et l'unité d'alimentation.				
2	Installez le bloc d'alimentation conformément aux normes techniques de l'électricité.				
1	Appareil d'éclairage l'installation (Encastré, plafond) Après avoir ouvert le support de montage du fil de sécurité et fixé le fil de sécurité.				
	Installez de manière à ce que la surface d'irradiation soit face au mur.				
2	Branchez le connecteur côté bloc d'alimentation et le premier connecteur côté instrument.				
3	Coupez toujours l'alimentation, veuillez travailler. Après la connexion, assurez-vous que le connecteur est verrouillé, vérifiez qu'il ne se détache pas.				
	Après avoir connecté tous les luminaires par le connecteur, pliez le support de montage du fil de sécurité vers le haut.				
4	Après avoir aligné le luminaire et l'extrémité du cadre de montage, fixez le luminaire de sorte qu'il n'y ait pas d'espace.				
5	Installez-le de sorte que le connecteur ne s'incline pas. Installez de sorte qu'il n'y ait pas d'espace entre appareil d'éclairage				
	Installez appareil d'éclairage de sorte qu'il ne dépasse pas du cadre.				

Précautions		Contenu																																											
Consommation d'énergie par longueur d'instrument	Longueur totale d'équipement pouvant être utilisée par l'unité d'alimentation.	<table border="1"> <thead> <tr> <th>Numéro de modèle de l'instrument</th> <th>Tension d'entrée (V)</th> <th>Consommation électrique (W)</th> </tr> </thead> <tbody> <tr> <td>MPP-10/0300/COS/R MPP-10/0300/COS/J MPP-10/0300/COS/L</td> <td>DC 24</td> <td>7.4</td> </tr> <tr> <td>MPP-10/0600/COS/R MPP-10/0600/COS/J MPP-10/0600/COS/L</td> <td>DC 24</td> <td>14.8</td> </tr> <tr> <td>MPP-10/1200/COS/R MPP-10/1200/COS/J MPP-10/1200/COS/L</td> <td>DC 24</td> <td>29.6</td> </tr> </tbody> </table>	Numéro de modèle de l'instrument	Tension d'entrée (V)	Consommation électrique (W)	MPP-10/0300/COS/R MPP-10/0300/COS/J MPP-10/0300/COS/L	DC 24	7.4	MPP-10/0600/COS/R MPP-10/0600/COS/J MPP-10/0600/COS/L	DC 24	14.8	MPP-10/1200/COS/R MPP-10/1200/COS/J MPP-10/1200/COS/L	DC 24	29.6	<table border="1"> <thead> <tr> <th>Toute la longueur</th> <th>mm</th> <th>300</th> <th>600</th> <th>900</th> <th>1200</th> <th>1500</th> <th>1800</th> <th>2100</th> <th>2400</th> </tr> </thead> <tbody> <tr> <td>Consommation électrique (W)</td> <td>LÈCHE-MUR</td> <td>7.4</td> <td>14.8</td> <td>22.2</td> <td>29.6</td> <td>37.0</td> <td>44.4</td> <td>51.8</td> <td>59.2</td> </tr> <tr> <td></td> <td>Fondation</td> <td>14.8</td> <td>29.6</td> <td>44.4</td> <td>59.2</td> <td>74.0</td> <td>88.8</td> <td>103.6</td> <td>118.4</td> </tr> </tbody> </table>	Toute la longueur	mm	300	600	900	1200	1500	1800	2100	2400	Consommation électrique (W)	LÈCHE-MUR	7.4	14.8	22.2	29.6	37.0	44.4	51.8	59.2		Fondation	14.8	29.6	44.4	59.2	74.0	88.8	103.6	118.4
		Numéro de modèle de l'instrument	Tension d'entrée (V)	Consommation électrique (W)																																									
MPP-10/0300/COS/R MPP-10/0300/COS/J MPP-10/0300/COS/L	DC 24	7.4																																											
MPP-10/0600/COS/R MPP-10/0600/COS/J MPP-10/0600/COS/L	DC 24	14.8																																											
MPP-10/1200/COS/R MPP-10/1200/COS/J MPP-10/1200/COS/L	DC 24	29.6																																											
Toute la longueur	mm	300	600	900	1200	1500	1800	2100	2400																																				
Consommation électrique (W)	LÈCHE-MUR	7.4	14.8	22.2	29.6	37.0	44.4	51.8	59.2																																				
	Fondation	14.8	29.6	44.4	59.2	74.0	88.8	103.6	118.4																																				
		<table border="1"> <thead> <tr> <th>Toute la longueur</th> <th>mm</th> <th>2700</th> <th>3000</th> <th>3300</th> <th>3600</th> <th>~7200</th> </tr> </thead> <tbody> <tr> <td>Consommation électrique (W)</td> <td>LÈCHE-MUR</td> <td>66.6</td> <td>74.0</td> <td>81.4</td> <td>88.8</td> <td>~177.6</td> </tr> <tr> <td></td> <td>Fondation</td> <td>133.2</td> <td>148.0</td> <td>162.8</td> <td>177.6</td> <td>~355.2</td> </tr> </tbody> </table>	Toute la longueur	mm	2700	3000	3300	3600	~7200	Consommation électrique (W)	LÈCHE-MUR	66.6	74.0	81.4	88.8	~177.6		Fondation	133.2	148.0	162.8	177.6	~355.2	<p>※Remarque Lors de la connexion, l'équipement d'éclairage peut être connecté avec des connecteurs, mais la longueur totale des connexions doit être inférieure à 2,4 m. S'il dépasse 2,4 m, l'appareil peut tomber en panne. Lors d'une connexion de plus de 2,4 m, connectez au bloc d'alimentation avec deux circuits.</p> <p>Lorsque trois L1200 sont connectés</p>																					
Toute la longueur	mm	2700	3000	3300	3600	~7200																																							
Consommation électrique (W)	LÈCHE-MUR	66.6	74.0	81.4	88.8	~177.6																																							
	Fondation	133.2	148.0	162.8	177.6	~355.2																																							
		<p>Équipement pouvant être fixé au cadre encastré et à la plaque de montage directe</p> <p>Type300 Instruments installables: 0300 type unique</p> <p>Type600 Instruments installables: 0300 Type unique, 0300 Type de concaténation, 0600 Type unique</p> <p>Type1200 Instruments installables: 0600 Type de concaténation, 0600 Type de concaténation, 1200 Type unique</p> <p>Remarque: 300 instruments ne peuvent pas être installés sur 1200 cadres de montage</p>																																											

■Durée de vie de l'équipement

Les appareils d'éclairage ont une durée de vie.
Après 8 à 10 ans d'installation, la détérioration interne a progressé même s'il n'y a pas d'anomalie d'apparence. Vérifiez et remplacez.

※Les conditions de fonctionnement sont la température ambiante de 30 °C, éclairage pendant 10 heures par jour éclairage pendant 3000 heures par an. (selon l'explication JIS C 8105-1)
•Si la température ambiante est élevée ou le temps d'éclairage est long, la durée de vie sera raccourcie.
•Veuillez recevoir une inspection par un spécialiste tel qu'un atelier de construction une fois tous les trois ans.
Si vous continuez à utiliser le produit sans le vérifier, il existe un risque d'incendie, de choc électrique ou de chute.

■À propos de la garantie

Période de garantie

Nous avons une période de garantie à long terme unique.

Détails de la garantie

En cas de dysfonctionnement d'un produit, nous le réparerons ou le remplacerons gratuitement en fonction de la période de garantie et des conditions de chaque produit. Les dommages causés par l'installation d'appareils d'éclairage et de matériaux liés à la construction ne sont pas couverts par la garantie.

Demande de réparation

Si la période de garantie a expiré ou si les conditions de garantie ne sont pas remplies, les réparations seront facturées.

Conditions de garantie

Les conditions de garantie détaillées sont décrites dans la «Garantie».

※Pour plus de détails, veuillez contacter notre service commercial.

■Service après-vente

Si vous avez des questions concernant la réparation ou des questions, veuillez contacter le magasin où vous avez acheté le produit ou notre bureau de vente.

ModuleX

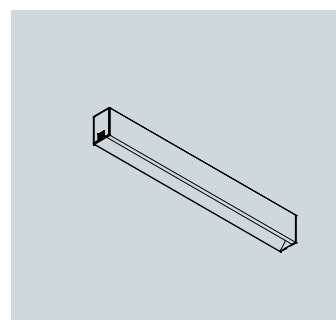
ModuleX Etretien

MPP-10/0300/COS/R MPP-10/0300/COS/J MPP-10/0300/COS/L
MPP-10/0600/COS/R MPP-10/0600/COS/J MPP-10/0600/COS/L
MPP-10/1200/COS/R MPP-10/1200/COS/J MPP-10/1200/COS/L

Guide d'entretien

PRISM LÈCHE-MUR

MPP-10/0300/COS/R MPP-10/0300/COS/J MPP-10/0300/COS/L
 MPP-10/0600/COS/R MPP-10/0600/COS/J MPP-10/0600/COS/L
 MPP-10/1200/COS/R MPP-10/1200/COS/J MPP-10/1200/COS/L



Consommation d'énergie
 MMP-10/0300/COS/R,J,L 7.4W
 MMP-10/0600/COS/R,J,L 14.8W
 MMP-10/1200/COS/R,J,L 29.6W

Source de lumière dédiée

Température de couleur 2400K
 2700K
 3000K
 3500K
 4000K

※Veuillez nous contacter lors du remplacement de la source lumineuse.

bloc d'alimentation vendu séparément

※Seule une personne qualifiée (électricien) doit remplacer le bloc d'alimentation.

<Assurez-vous de vérifier> pour un entretien sûr

⚠ AVERTISSEMENT: une mauvaise utilisation peut provoquer des blessures.		🚫 : Matière interdite
⚠ Attention: une mauvaise utilisation peut provoquer des dommages matériels.		🚫 : à observer strictement
⚠ Attention	🚫	Installez l'instrument et les options en toute sécurité conformément à l'affichage de l'instrument ou à ce manuel. (Cause de chute, choc électrique, incendie)
	🚫	Ne touchez pas l'appareil pendant l'éclairage ou immédiatement après l'avoir éteint en raison de la température élevée (cause de brûlures)
	🚫	Ne placez pas et ne couvrez pas de tissu, de papier ou de matériau d'isolation thermique sur l'équipement.
	🚫	Ne placez pas d'objets métalliques ou inflammables dans les espaces entre les appareils (cause de choc électrique, d'incendie et d'appareils)
	🚫	Assurez-vous que la coque extérieure de l'unité principale autre que la pièce de montage du luminaire n'entre pas en contact avec les matériaux de construction et les conduits à l'intérieur et à l'extérieur du plafond. (Cause de chute, choc électrique, incendie)
	🚫	Ne démontez pas et ne modifiez pas l'instrument (cause de choc électrique, incendie, chute ou dysfonctionnement)
	🚫	Ne travaillez pas avec les mains mouillées (cause de choc électrique)
🚫	🚫	Si vous ressentez une anomalie telle que de la fumée ou une odeur, coupez immédiatement l'alimentation et demandez à un atelier de construction de la réparer (cause de choc électrique ou d'incendie)
	🚫	Assurez-vous de couper l'alimentation avant de connecter ou de déconnecter le connecteur.
⚠ Avertissement	🚫	Installez l'arroseur et les autres équipements de prévention des incendies de manière à ce que la chaleur de l'instrument ne les affecte pas (cause d'un dysfonctionnement).

■ À propos de la maintenance des instruments

Détails d'installation	Schéma d'installation	Avertissement
<p>Cadres encastrés</p> <p>1 Retirez les appareils d'éclairage du plafond. Insérez un tournevis plat dans la rainure du cône et retirez les appareils d'éclairage. Tirez les appareils d'éclairage vers le bas du cadre.</p> <p>⚠ e Veuillez noter que l'application d'une force excessive peut endommager les appareils d'éclairage.</p> <p>2 Retirez le connecteur tout en le suspendant avec le fil de sécurité.</p> <p>⚠ f Tout en appuyant sur le bouton de déverrouillage sur le côté du bloc d'alimentation du connecteur, retirez-le.</p> <p>3 Retirez le fil de sécurité un par un.</p>	<p>※ 1 Insérer dans la rainure (vue agrandie) rainure monter (Vendu séparément)</p>	<p>⚠ e</p> <p>Cadre de montage appareils d'éclairage Dommages latéraux Tournevis à tête plate</p> <p>⚠ f</p> <p>Bouton de libération</p>
<p>Plaque de montage</p> <p>1 Inclinez les appareils d'éclairage et abaissez-le, quand le printemps arrive off.</p> <p>⚠ g Inclinez le coin des appareils d'éclairage. S'il est abaissé directement en dessous, les appareils d'éclairage peuvent être endommagés.</p> <p>2 Retirez le connecteur en le suspendant avec le fil de sécurité.</p> <p>3 Retirez le fil de sécurité un par un.</p>		<p>⚠ g</p> <p>○</p> <p>×</p>