

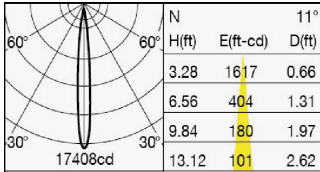
**SPECIFICATION**

- Light Source
- Input Voltage
- Input current
- Power Consumption
- Dedicated Driver
- Weight
- Dimming Control
- Dimming Range
- UL File number

LED Module (Mounted)  
 AC120V(Dedicated driver input voltage)  
 0.183A(AC120V input)  
 21.8W(AC120V input)  
 Constant current ( 50/60Hz shared)  
 1.38 lbs,625g (Driver weight is included)  
 0-10V  
 3%-100%  
 E477257

- delivered lumen (N)for Narrow 46.3Lm/W(AC120V input)  
 (M)for Medium 49.7Lm/W(AC120V input)
- life rating 50,000hours. L70
- warranty coverage 5 years
- CRI(Ra) 93 typ
- color temperature 2700K,3000K,3500K,4000K

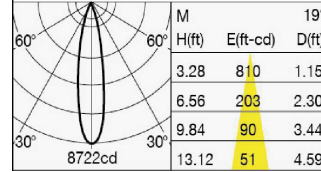
**Narrow**



3000K / 1720Lm

E(ft-cd)	2700K	3000K	3500K	4000K
1630lm	1720lm	1760lm	1798lm	
3.28ft	1533	1617	1655	1689
6.56ft	383	404	414	422
9.84ft	170	180	184	188
13.12ft	96	101	103	106

**Medium**



3000K / 1720Lm

E(ft-cd)	2700K	3000K	3500K	4000K
1630lm	1720lm	1760lm	1798lm	
3.28ft	768	810	829	846
6.56ft	192	203	207	211
9.84ft	85	90	92	94
13.12ft	48	51	52	53

**PRODUCT CODE**

- MMP-080S/SH/W or M or S/1E/N/10B27/Z2/2
- MMP-080S/SH/W or M or S/1E/N/10B30/Z2/2
- MMP-080S/SH/W or M or S/1E/N/10B35/Z2/2
- MMP-080S/SH/W or M or S/1E/N/10B40/Z2/2
- MMP-080S/SH/W or M or S/1E/M/10B27/Z2/2
- MMP-080S/SH/W or M or S/1E/M/10B30/Z2/2
- MMP-080S/SH/W or M or S/1E/M/10B35/Z2/2
- MMP-080S/SH/W or M or S/1E/M/10B40/Z2/2

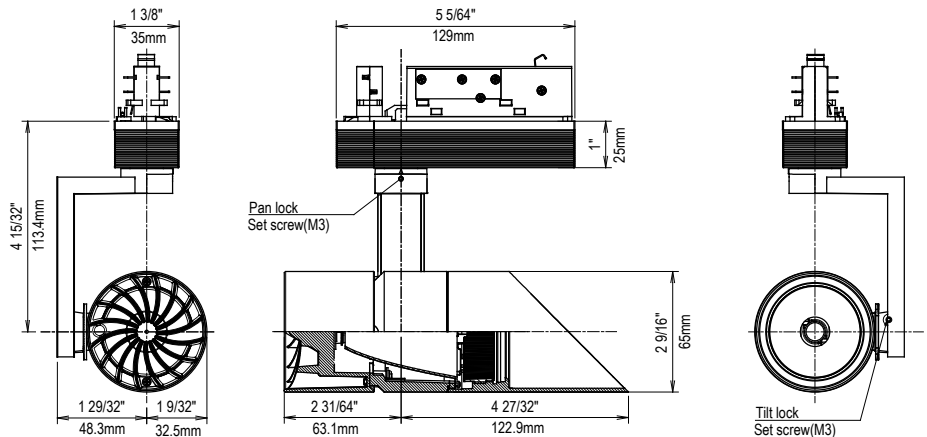
**HOW TO READ THE PRODUCT CODE**

MMP-080S/SH/W/1E/N/10B 27/Z2/2  
 1 2 3 4 5 6 7 8 9

- 1 Basic product Series
- 2 Hood type (SH)for 10° hood
- 3 Choose the letter code to designate the desired color of Product (W)for White (M)for Matte Black (S)for Silver
- 4 Adapter Type (1E)for Eutrac Corp NA
- 5 Choose the letter code to designate the desired light distribution (N)for Narrow 11° (M)for Medium 19°
- 6 Light Source
- 7 Choose the letter code to designate the desired Color Temperature (27)for 2700K (30)for 3000K (35)for 3500K (40)for 4000K
- 8 Designates led driver type (Z2)for Original Driver 0-10V Dimming Control
- 9 Authentication (2)for UL/cUL

**Lens Filter options**

- Full-Diffuser Lens Filter MLA-080/DF01
- Semi-Diffuser Lens Filter MLA-080/DS03
- Full-Spread Lens Filter MLA-080/SF01
- Semi-Spread Lens Filter MLA-080/SS01
- Edge Control Lens Filter MLA-080/EC02
- Sharpener Lens MLA-080/SH01 (available only for narrow distribution)



**ATTENTION**

- This fixture is compatible with Eutrac 2-circuit track only. The fixture attaches to both the left and right circuit rails of the track. Please ensure that only one power feed is supplied to the track.
- Use 0-10V control dimming system (DVSTV-XX(Sold separately))only.

