

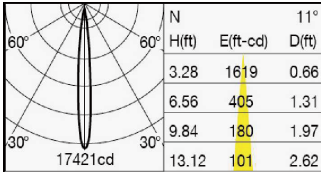
SPECIFICATION

- Light Source
- Input Voltage
- Input current
- Power Consumption
- Dedicated Driver
- Weight
- Dimming Control
- Dimming Range
- UL File number

LED Module (Mounted)
 AC120V(Dedicated driver input voltage)
 0.183A(AC120V input)
 21.8W(AC120V input)
 Constant current (50/60Hz shared)
 1.32 lbs,600g (Driver weight is included)
 -
 -
 E477257

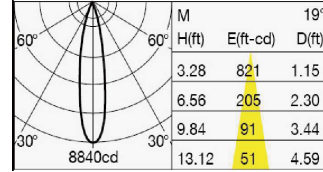
- delivered lumen
(N)for Narrow 49.1Lm/W(AC120V input)
(M)for Medium 53.6Lm/W(AC120V input)
- life rating 50,000hours. L70
- warranty coverage 5 years
- CRI(Ra) 93 typ
- color temperature 2700K,3000K,3500K,4000K

Narrow



E(ft-cd)	2700K	3000K	3500K	4000K
1630lm	1720lm	1760lm	1798lm	
3.28ft	1534	1619	1656	1690
6.56ft	383	405	414	422
9.84ft	170	180	184	188
13.12ft	96	101	103	106

Medium



E(ft-cd)	2700K	3000K	3500K	4000K
1630lm	1720lm	1760lm	1798lm	
3.28ft	778	821	840	858
6.56ft	195	205	210	214
9.84ft	86	91	93	95
13.12ft	49	51	52	54

PRODUCT CODE

- MMP-080S/1H/W or M or S/1N/N/10B27/N1/2
- MMP-080S/1H/W or M or S/1N/N/10B30/N1/2
- MMP-080S/1H/W or M or S/1N/N/10B35/N1/2
- MMP-080S/1H/W or M or S/1N/N/10B40/N1/2
- MMP-080S/1H/W or M or S/1N/M/10B27/N1/2
- MMP-080S/1H/W or M or S/1N/M/10B30/N1/2
- MMP-080S/1H/W or M or S/1N/M/10B35/N1/2
- MMP-080S/1H/W or M or S/1N/M/10B40/N1/2

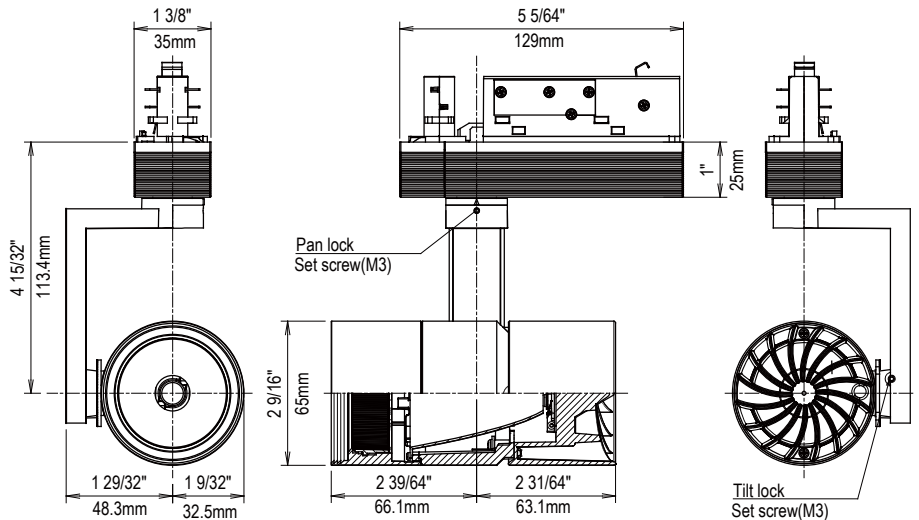
HOW TO READ THE PRODUCT CODE

MMP-080S/1H/W/1N/N/10B 27/N1/2
 1 2 3 4 5 6 7 8 9

- 1 Basic product Series
- 2 Hood type
(1H)for 10° hood
- 3 Choose the letter code to designate the desired color of Product
(W)for White (M)for Matte Black (S)for Silver
- 4 Adapter Type
(1N)for NORDIC ALUMINIUM INC
- 5 Choose the letter code to designate the desired light distribution
(N)for Narrow 11° (M)for Medium 19°
- 6 Light Source
- 7 Choose the letter code to designate the desired Color Temperature
(27)for 2700K (30)for 3000K (35)for 3500K (40)for 4000K
- 8 Designates led driver type
(N1)for NON-Dimming
- 9 Authentication
(2)for UL/cUL

Lens Filter options

- Full-Diffuser Lens Filter MLA-080/DF01
- Semi-Diffuser Lens Filter MLA-080/DS03
- Full-Spread Lens Filter MLA-080/SF01
- Semi-Spread Lens Filter MLA-080/SS01
- Edge Control Lens Filter MLA-080/EC02
- Sharpener Lens MLA-080/SH01
(available only for narrow distribution)



ATTENTION

• This fixture is compatible with NORDIC ALUMINIUM 2-circuit track only. The fixture attaches to both the left and right circuit rails of the track.
 Please ensure that only one power feed is supplied to the track.

