

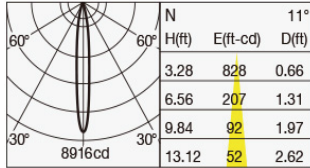
SPECIFICATION

- Light Source
- Input Voltage
- Input current
- Power Consumption
- Dedicated Driver
- Weight
- Dimming Control
- Dimming Range
- UL File number

LED Module (Mounted)  
 AC120V(Dedicated driver input voltage)  
 0.129A(AC120V input)  
 15.4W(AC120V input)  
 Constant current ( 50/60Hz shared)  
 0.87 lbs.,395g (Driver weight is included)  
 -  
 E477257

- delivered lumen (N)for Narrow 31.3Lm/W(AC120V input)  
(M)for Medium 34.0Lm/W(AC120V input)
- life rating 50,000hours. L70
- warranty coverage 5 years
- CRI(Ra) 93 typ
- color temperature 2400K,2700K,3000K,3500K,4000K

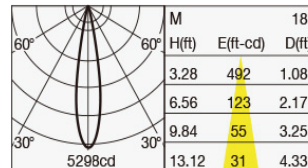
**Narrow**



3000K / 1042Lm

E(ft-cd)	2400K	2700K	3000K	3500K	4000K
941lm	992lm	1042lm	1068lm	1088lm	
3.28ft	748	788	828	849	865
6.56ft	187	197	207	212	216
9.84ft	83	88	92	94	96
13.12ft	47	49	52	53	54

**Medium**



3000K / 1042Lm

E(ft-cd)	2400K	2700K	3000K	3500K	4000K
941lm	992lm	1042lm	1068lm	1088lm	
3.28ft	444	469	492	504	514
6.56ft	111	117	123	126	128
9.84ft	49	52	55	56	57
13.12ft	28	29	31	31	32

**PRODUCT CODE**

- MMP-060S/5H/W or M or S/1N/N/10A24/Z1/2
- MMP-060S/5H/W or M or S/1N/N/10A27/Z1/2
- MMP-060S/5H/W or M or S/1N/N/10A30/Z1/2
- MMP-060S/5H/W or M or S/1N/N/10A35/Z1/2
- MMP-060S/5H/W or M or S/1N/N/10A40/Z1/2
- MMP-060S/5H/W or M or S/1N/M/10A24/Z1/2
- MMP-060S/5H/W or M or S/1N/M/10A27/Z1/2
- MMP-060S/5H/W or M or S/1N/M/10A30/Z1/2
- MMP-060S/5H/W or M or S/1N/M/10A35/Z1/2
- MMP-060S/5H/W or M or S/1N/M/10A40/Z1/2

**HOW TO READ THE PRODUCT CODE**

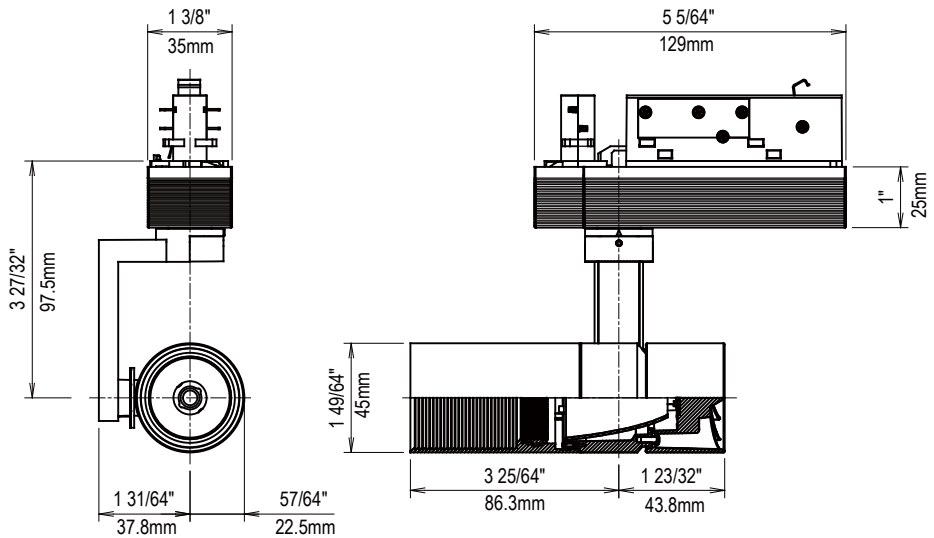
MMP-060S/5H/W/1N/N/10A 27/Z1/2  
 1 2 3 4 5 6 7 8 9

- 1 Basic product Series
- 2 Hood type (5H)for 50° hood
- 3 Choose the letter code to designate the desired color of Product (W)for White (M)for Matte Black (S)for Silver
- 4 Adapter Type (1N)for NORDIC ALUMINIUM INC
- 5 Choose the letter code to designate the desired light distribution (N)for Narrow 11° (M)for Medium 18°
- 6 Light Source
- 7 Choose the letter code to designate the desired Color Temperature (24)for 2400K (27)for 2700K (30)for 3000K (35)for 3500K (40)for 4000K
- 8 Designates led driver type (Z1)for NON-Dimming
- 9 Authentication (2)for UL

**Lens Filter options**

Full-Diffuser Lens Filter	MLA-060/DF01
Semi-Diffuser Lens Filter	MLA-060/DS01
Full-Spread Lens Filter	MLA-060/SF01
Semi-Spread Lens Filter	MLA-060/SS01
Edge Control Lens Filter	MLA-060/EC01
Sharpener Lens	MLA-060/SH01

(available only for narrow distribution)



**ATTENTION**

•This fixture is compatible with NORDIC ALUMINIUM 2-circuit track only. The fixture attaches to both the left and right circuit rails of the track.  
 Please ensure that only one power feed is supplied to the track.

