

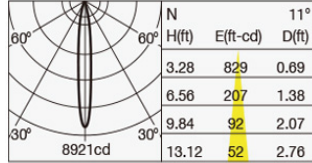
**SPECIFICATION**

- Light Source
- Input Voltage
- Input current
- Power Consumption
- Dedicated Driver
- Weight
- Dimming Control
- Dimming Range
- UL File number

LED Module (Mounted)  
 AC120V(Dedicated driver input voltage)  
 0.129A(AC120V input)  
 15.4W(AC120V input)  
 Constant current ( 50/60Hz shared)  
 0.82 lbs,370g (Driver weight is included)  
 0-10V  
 3%-100%  
 E477257

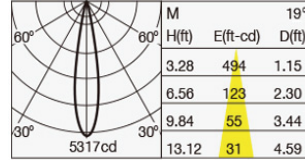
- delivered lumen (N)for Narrow (M)for Medium
  - life rating
  - warranty coverage
  - CRI(Ra)
  - color temperature
- 40.1Lm/W(AC120V input)  
 41.0Lm/W(AC120V input)  
 50,000hours. L70  
 5 years  
 93 typ  
 2400K,2700K,3000K,3500K,4000K

**Narrow**



3000K / 1042Lm

**Medium**



3000K / 1042Lm

E(ft-cd)	2400K	2700K	3000K	3500K	4000K
	941lm	992lm	1042lm	1068lm	1088lm
3.28ft	446	470	494	506	516
6.56ft	111	118	123	127	129
9.84ft	50	52	55	56	57
13.12ft	28	29	31	32	32

**PRODUCT CODE**

- MMP-060S/1H/W or M or S/1E/N/10A24/Z1/2
- MMP-060S/1H/W or M or S/1E/N/10A27/Z1/2
- MMP-060S/1H/W or M or S/1E/N/10A30/Z1/2
- MMP-060S/1H/W or M or S/1E/N/10A35/Z1/2
- MMP-060S/1H/W or M or S/1E/N/10A40/Z1/2
- MMP-060S/1H/W or M or S/1E/M/10A24/Z1/2
- MMP-060S/1H/W or M or S/1E/M/10A27/Z1/2
- MMP-060S/1H/W or M or S/1E/M/10A30/Z1/2
- MMP-060S/1H/W or M or S/1E/M/10A35/Z1/2
- MMP-060S/1H/W or M or S/1E/M/10A40/Z1/2

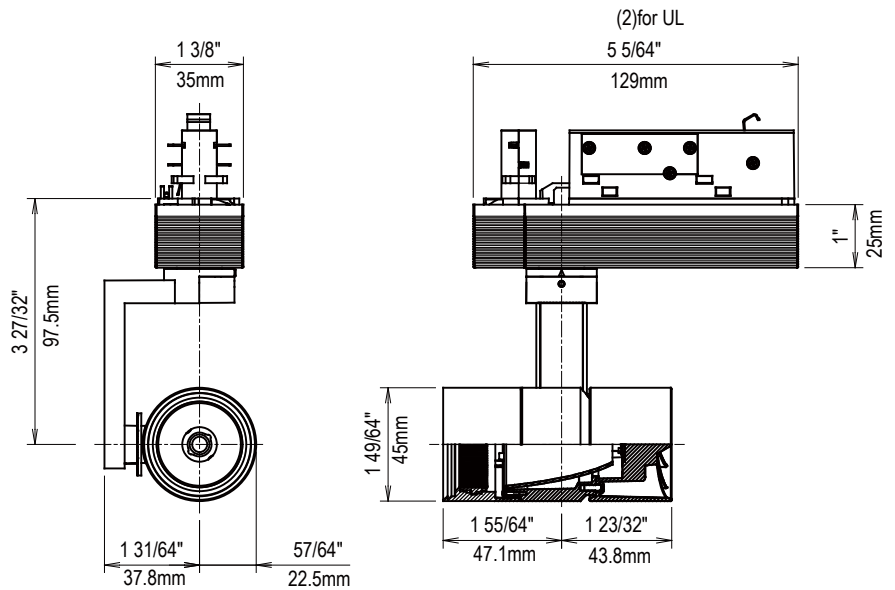
**HOW TO READ THE PRODUCT CODE**

MMP-060S/1H/W/1E/N/10A 27/Z1/2  
 1 2 3 4 5 6 7 8 9

- 1 Basic product Series
- 2 Hood type  
(1H)for 10° hood
- 3 Choose the letter code to designate the desired color of Product  
(W)for White (M)for Matte Black (S)for Silver
- 4 Adapter Type  
(1E)for Eutrac Corp NA
- 5 Choose the letter code to designate the desired light distribution  
(N)for Narrow 11° (M)for Medium 18°
- 6 Light Source
- 7 Choose the letter code to designate the desired Color Temperature  
(24)for 2400K (27)for 2700K (30)for 3000K (35)for 3500K (40)for 4000K
- 8 Designates led driver type  
(Z1)for Original Driver 0-10V Dimming Control
- 9 Authentication  
(2)for UL

**Lens Filter options**

- Full-Diffuser Lens Filter MLA-060/DF01
- Semi-Diffuser Lens Filter MLA-060/DS01
- Full-Spread Lens Filter MLA-060/SF01
- Semi-Spread Lens Filter MLA-060/SS01
- Edge Control Lens Filter MLA-060/EC01
- Sharpener Lens MLA-060/SH01  
(available only for narrow distribution)



**ATTENTION**

- This fixture is compatible with Eutrac 2-circuit track only. The fixture attaches to both the left and right circuit rails of the track. Please ensure that only one power feed is supplied to the track.
- Use 0-10V control dimming system (DVSTV-XX(Sold separately))only.

