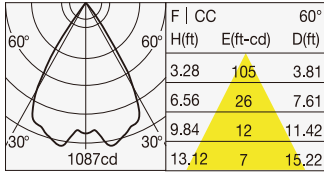


SPECIFICATION

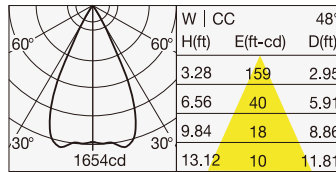
<ul style="list-style-type: none"> Light Source Input Voltage Input current Power Consumption Dedicated Driver Fixture Input Voltage Fixture Input Current Weight Dimming Control Dimming Range UL File number 	<p>LED Module (Mounted)</p> <p>AC120V-277V (Dedicated driver input voltage)</p> <p>0.19A(AC120V input),0.085A(AC277V input)</p> <p>21.7W(AC120V input),22.2W(AC277V input)</p> <p>Constant current (50/60Hz shared)</p> <p>37.1V</p> <p>0.5A</p> <p>1.21 lbs,545g(Driver weight is included)</p> <p>Phase control dimming</p> <p>10%-100%</p> <p>E472786</p>	<ul style="list-style-type: none"> delivered lumen life rating warranty coverage CRI(Ra) color temperature <p>(F)for Wide_60°</p> <p>(W)for Wide_48°</p> <p>(M)for Medium</p> <p>50,000hours. L70</p> <p>5 years</p> <p>93 typ</p> <p>2700K,3000K,3500K,4000K</p>
---	---	--

Wide_60°



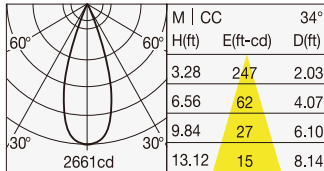
3000K / 1783Lm

Wide_48°



3000K / 1783Lm

Medium



3000K / 1783Lm

E(ft-cd)	2400K	2700K	3000K	3500K	4000K
1536lm	1686lm	1783lm	1818lm	1857lm	
3.28ft	90	99	105	107	109
6.56ft	23	25	26	27	27
9.84ft	10	11	12	12	12
13.12ft	6	6	7	7	7

E(ft-cd)	2400K	2700K	3000K	3500K	4000K
1536lm	1686lm	1783lm	1818lm	1857lm	
3.28ft	137	151	159	163	166
6.56ft	34	38	40	41	41
9.84ft	15	17	18	18	18
13.12ft	9	9	10	10	10

PRODUCT CODE

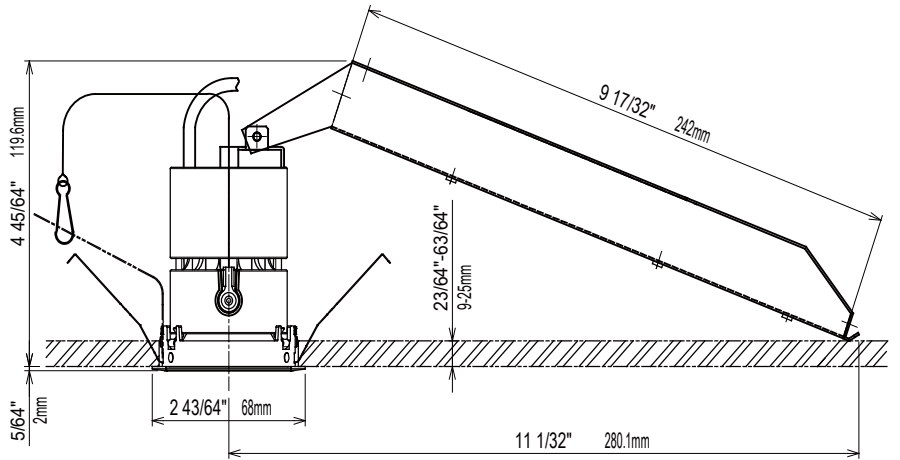
- MMP-060F/WC/SWF/F or M or W/10A24/T1/2
- MMP-060F/WC/SWF/F or M or W/10A27/T1/2
- MMP-060F/WC/SWF/F or M or W/10A30/T1/2
- MMP-060F/WC/SWF/F or M or W/10A35/T1/2
- MMP-060F/WC/SWF/N or M or W/10A40/T1/2
- MMP-060F/MC/SWF or SMF/F or M or W/10A24/T1/2
- MMP-060F/MC/SWF or SMF/F or M or W/10A27/T1/2
- MMP-060F/MC/SWF or SMF/F or M or W/10A30/T1/2
- MMP-060F/MC/SWF or SMF/F or M or W/10A35/T1/2
- MMP-060F/MC/SWF or SMF/F or M or W/10A40/T1/2
- MMP-060F/CC/SWF or SMF/F or M or W/20A24/T1/2
- MMP-060F/CC/SWF or SMF/F or M or W/20A27/T1/2
- MMP-060F/CC/SWF or SMF/F or M or W/20A30/T1/2
- MMP-060F/CC/SWF or SMF/F or M or W/20A35/T1/2
- MMP-060F/CC/SWF or SMF/F or M or W/20A40/T1/2

HOW TO READ THE PRODUCT CODE

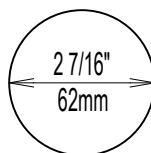
MMP-060F/WC/SWF/F/10A27/T1/2

1 2 3 4 5 6 7 8

- Basic product Series
- Choose the letter code to designate the desired color of cone (WC)for White cone (MC)for Matte black cone (CC)for Chrome cone
- Choose the letter code to designate the desired color of Trim (SWF)for White (SMF)for matte black
- Choose the letter code to designate the desired light distribution (F)for Wide_60° (M)for Medium (W)for Wide_48°
- Light Source
- Choose the letter code to designate the desired Color Temperature (24)for 2400k (27)for 2700K (30)for 3000K (35)for 3500K (40)for 4000K
- Designates led driver type
1.OSRAM ,Cat No. OT20W/500C/UNV/PC
- Authentication
2.UL



Ceiling Hole Diameter



Wiring Diagram

