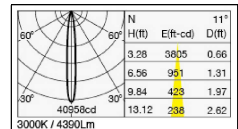


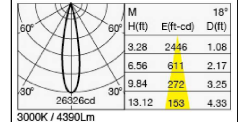
SPECIFICATION

- Light Source LED Module (Mounted)
- Input Voltage AC120V(Dedicated driver input voltage)
- Input current 0.454A(AC120V input)
- Power Consumption 53.9W(AC120V input)
- Dedicated Driver Constant current (50/60Hz shared)
- Weight 2.40 lbs,1090g (Driver weight is included)
- Dimming Control -
- Dimming Range -
- UL File number E477257
- delivered lumen (N)for Narrow 43.9Lm/W(AC120V input)
(M)for Medium 51.1Lm/W(AC120V input)
- life rating 50,000hours. L70
- warranty coverage 5 years
- CRI(Ra) 93 typ
- color temperature 2700K,3000K,3500K,4000K

Narrow



Medium



E(ft-cd)	2700K	3000K	3500K	4000K
4161lm	4390lm	4488lm	4577m	
3.28ft	3607	3805	3890	3967
6.56ft	902	951	973	992
9.84ft	401	423	432	441
13.12ft	225	238	243	248

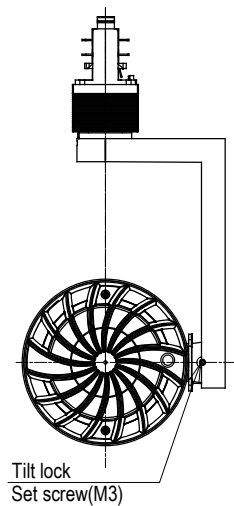
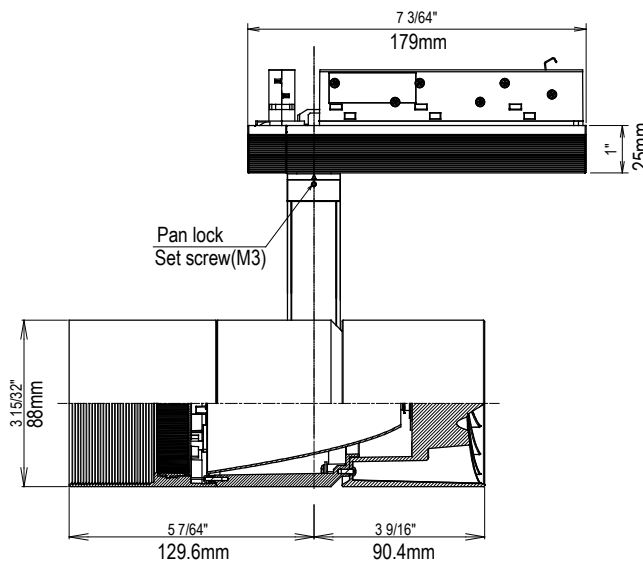
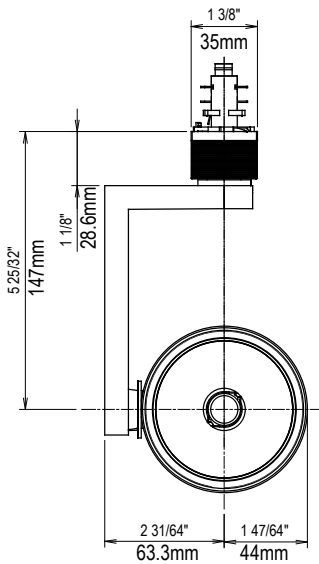
PRODUCT CODE

- MMP-130S/3H/W or M or S/1N/N/40B27/N1/2
- MMP-130S/3H/W or M or S/1N/N/40B30/N1/2
- MMP-130S/3H/W or M or S/1N/N/40B35/N1/2
- MMP-130S/3H/W or M or S/1N/N/40B40/N1/2
- MMP-130S/3H/W or M or S/1N/M/40B27/N1/2
- MMP-130S/3H/W or M or S/1N/M/40B30/N1/2
- MMP-130S/3H/W or M or S/1N/M/40B35/N1/2
- MMP-130S/3H/W or M or S/1N/M/40B40/N1/2

HOW TO READ THE PRODUCT CODE

MMP-130S/3H/W/1N/N/40B27/N1/2
1 2 3 4 5 6 7 8 9

- 1 Basic product Series
- 2 Hood type (3H)for 30° hood
- 3 Choose the letter code to designate the desired color of Product (W)for White (M)for Matte Black (S)for Silver
- 4 Adapter Type (1N)for NORDIC ALUMINIUM INC
- 5 Choose the letter code to designate the desired light distribution (N)for Narrow 11° (M)for Medium 18°
- 6 Light Source
- 7 Choose the letter code to designate the desired Color Temperature (27)for 2700K (30)for 3000K (35)for 3500K (40)for 4000K
- 8 Designates led driver type (N1)for Non-Dimming
- 9 Authentication (2)for UL/cUL



ATTENTION

• This fixture is compatible with NORDIC ALUMINIUM 2-circuit track only. The fixture attaches to both the left and right circuit rails of the track. Please ensure that only one power feed is supplied to the track.

Lens Filter options

- Full-Diffuser Lens Filter MLA-130/DF01
- Semi-Diffuser Lens Filter MLA-130/DS02
- Full-Spread Lens Filter MLA-130/SF01
- Semi-Spread Lens Filter MLA-130/SS01
- Edge Control Lens Filter MLA-130/EC02
- Sharpener Lens MLA-130/SH01 (available only for narrow distribution)

