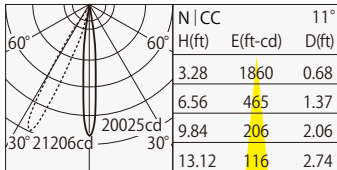


SPECIFICATION

| | | |
|---|--|--|
| <ul style="list-style-type: none"> Light Source Input Voltage Input Current Power Consumption Dedicated Driver Fixture Input Voltage Fixture Input Current Weight Dimming Control Dimming Range | <p>LED Module (Mounted) AC120-277V(Dedicated driver input voltage) 0.306A (AC120V input),0.14A(AC277V input) 36.4W(AC120V input),36.8W(AC277V input) Constant current (50/60Hz shared) 37.5V 0.83A 5.4 lbs,2.42kg(Driver weight is included) 0-10V 5%-100%</p> | <ul style="list-style-type: none"> DIMMER COMPATIBILITY Manufacturer Part no UL File number delivered lumen life rating warranty coverage CRI(Ra) color temperature <p>LUTRON DIVA DVTV-XX E472786 (N)for Narrow 36.7Lm/W(AC120V input),36.3Lm/W(AC277V input) (M)for Medium 46.5Lm/W(AC120V input),46.0Lm/W(AC277V input) 50000hours. L70 5 years 93 typ 2700K,3000K,3500K,4000K</p> |
|---|--|--|

Narrow

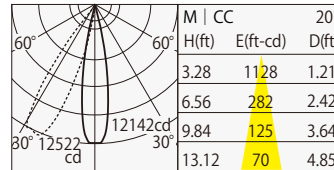
Solid line:vertically / Dotted linetilt angel:25°



3000K / 2583Lm

Medium

Solid line:vertically / Dotted linetilt angel:25°



3000K / 2583Lm

| E(ft-cd) | 2700K | 3000K | 3500K | 4000K |
|----------------------|--------|--------|--------|--------|
| H(ft) E(ft-cd) D(ft) | 2438lm | 2583lm | 2643lm | 2698lm |
| 3.28ft | 1064 | 1128 | 1154 | 1178 |
| 6.56ft | 266 | 282 | 288 | 294 |
| 9.84ft | 118 | 125 | 128 | 130 |
| 13.12ft | 66 | 70 | 72 | 73 |

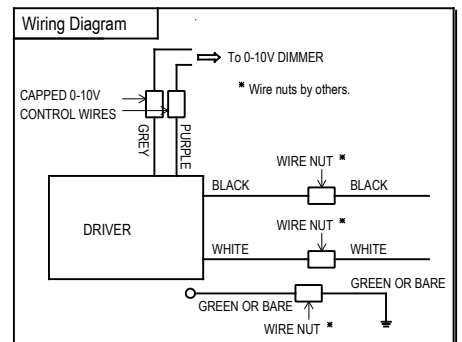
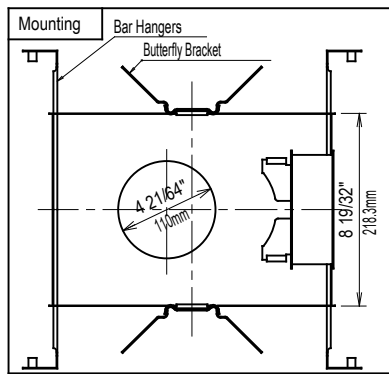
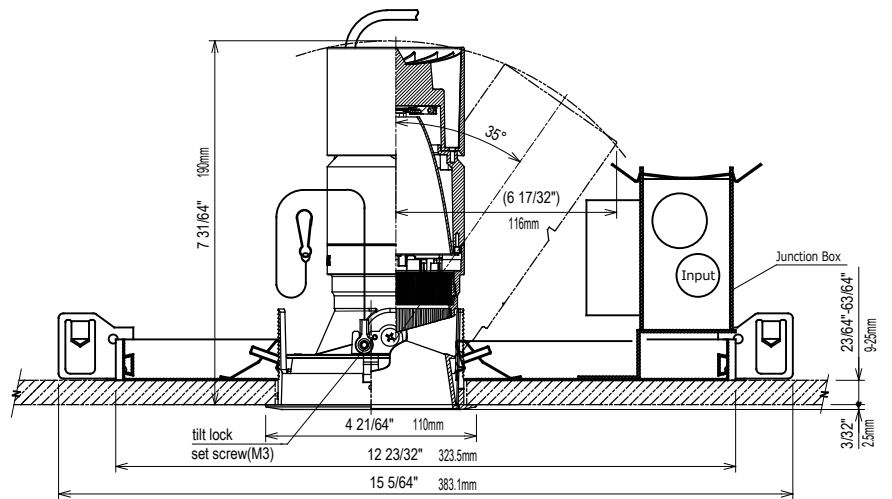
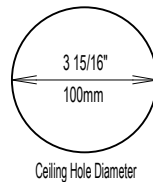
PRODUCT CODE

- MMP-100A/WC/SWF/N or M/30B27/Z1/2
- MMP-100A/WC/SWF/N or M/30B30/Z1/2
- MMP-100A/WC/SWF/N or M/30B35/Z1/2
- MMP-100A/WC/SWF/N or M/30B40/Z1/2
- MMP-100A/MC/SWF or SMF/N or M/30B27/Z1/2
- MMP-100A/MC/SWF or SMF/N or M/30B30/Z1/2
- MMP-100A/MC/SWF or SMF/N or M/30B35/Z1/2
- MMP-100A/MC/SWF or SMF/N or M/30B40/Z1/2
- MMP-100A/CC/SWF or SMF/N or M/30B27/Z1/2
- MMP-100A/CC/SWF or SMF/N or M/30B30/Z1/2
- MMP-100A/CC/SWF or SMF/N or M/30B35/Z1/2
- MMP-100A/CC/SWF or SMF/N or M/30B40/Z1/2

HOW TO READ THE PRODUCT CODE

MMP-100A/CC/SWF/N/30B27/Z1/2
 1 2 3 4 5 6 7 8

- Basic product Series
- Choose the letter code to designate the desired color of cone (WC)for White cone (MC)for Matte black cone (CC)for Chrome cone
- Choose the letter code to designate the desired color of Trim (SWF)for White (SMF)for Matte black
- Choose the letter code to designate the desired light distribution (N)for Narrow11° (M)for Medium 20°
- Light Source
- Choose the letter code to designate the desired Color Temperature (27)for 2700K (30)for 3000K (35)for 3500K (40)for 4000K
- Designates led driver type
 1.OSRAM,Cat No. OT40W/PRG1400C/UNV/DIM-1
- Authentication
 2.UL/cUL



Lens Filter options

| | |
|---------------------------|--------------|
| Full-Diffuser Lens Filter | MLA-100/DF01 |
| Semi-Diffuser Lens Filter | MLA-100/DS02 |
| Full-Spread Lens Filter | MLA-100/SF01 |
| Semi-Spread Lens Filter | MLA-100/SS01 |
| Edge Control Lens Filter | MLA-100/EC02 |
| Sharpener Lens | MLA-100/SH01 |

(available only for narrow distribution)