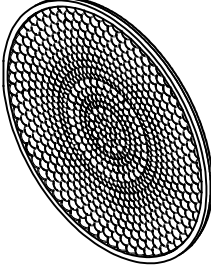
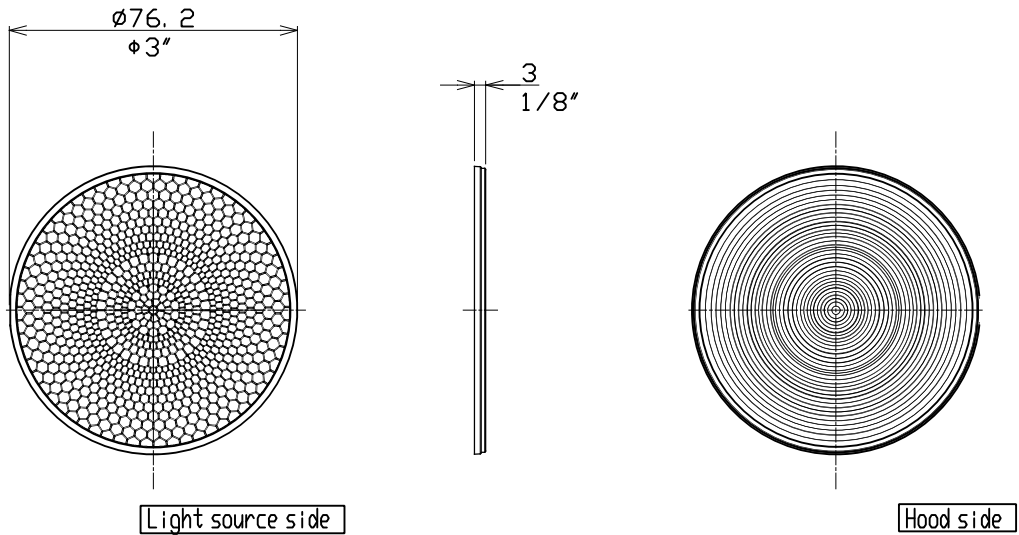


SERIES	FUNCTION	CAT. NO.
ModuleX Filter Lighting	Full Diffuser Lens Filter	MLA-130/DF01

	SPECIFICATION ● WEIGHT 10g 0.022 lb	PRODUCT CODE MLA-130/DF01											
	APPLICABLE PRODUCTS <table border="0"> <tr> <td>MMP-130S/1H</td> <td>MMP-130D/1H</td> <td>MMP-130A/WC</td> </tr> <tr> <td>MMP-130S/3H</td> <td>MMP-130D/3H</td> <td>MMP-130A/MC</td> </tr> <tr> <td>MMP-130S/5H</td> <td>MMP-130D/5H</td> <td>MMP-130A/CC</td> </tr> <tr> <td>MMP-130S/SH</td> <td>MMP-130D/SH</td> <td></td> </tr> </table>		MMP-130S/1H	MMP-130D/1H	MMP-130A/WC	MMP-130S/3H	MMP-130D/3H	MMP-130A/MC	MMP-130S/5H	MMP-130D/5H	MMP-130A/CC	MMP-130S/SH	MMP-130D/SH
MMP-130S/1H	MMP-130D/1H	MMP-130A/WC											
MMP-130S/3H	MMP-130D/3H	MMP-130A/MC											
MMP-130S/5H	MMP-130D/5H	MMP-130A/CC											
MMP-130S/SH	MMP-130D/SH												



	PARTS	MATERIAL	REMARK
1	Full Diffuser Lens Filter	Resin	

ATTENTION

- Danger! Do not remodel fixtures.
- Use in combination with specified fixtures.
- Please refer to the Installation guide of applicable products.

ModuleX ModuleX Inc.	SPECIFICATION SHEET	SCALE	CREATED DATE	REVISION DATE
		1/2	30/NOV/2018	