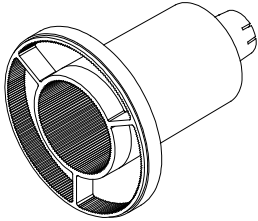
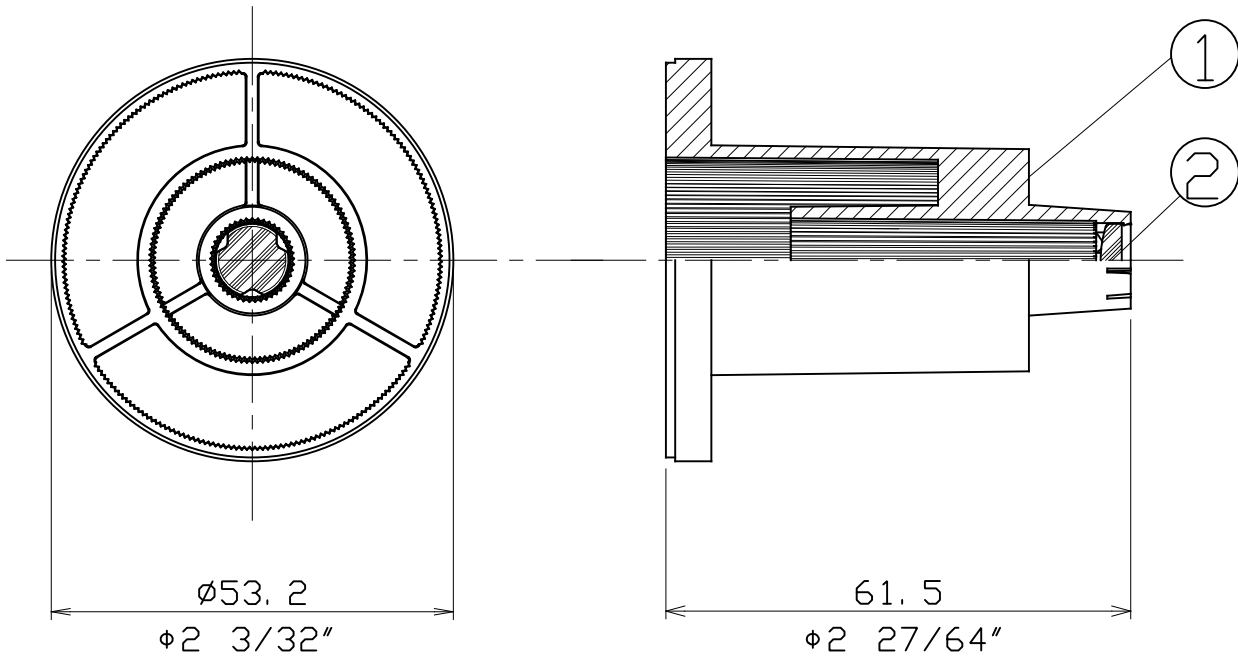


SERIES	FUNCTION	CAT. No
ModuleX Filter Lighting	Sharpener	MLA-080/SH01

	SPECIFICATION ● MATERIAL PC (Black) ● WEIGHT 16g 0.035lb	PRODUCT CODE MLA-080/SH01
	APPLICABLE PRODUCTS MMP-080S/1H/W·M·S/1P/N MMP-080S/3H/W·M·S/1P/N MMP-080S/5H/W·M·S/1P/N MMP-080A/WC/SWF·FLF/N MMP-080A/MC/SWF·SMF·FLF/N MMP-080A/CC/SWF·SMF·FLF/N	



	PARTS	MATERIAL	REMARK
1	Body	RESIN(Black)	_____
2	Lens	Glass	_____

- ATTENTION**
- Danger: Do not remodel fixtures.
 - Use in combination with specified fixtures.
 - Please refer to the Installation guide of applicable products.

	SPECIFICATION SHEET	SCALE	CREATED DATE	REVISION DATE
		1 / 1	30/NOV/2018	