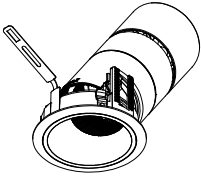




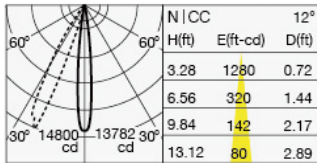
SPECIFICATION

- Light Source LED Module (Mounted)
- Input Voltage AC120V-277V (Dedicated driver input voltage)
- Input current 0.175A(AC120V input),0.088A(AC277V input)
- Power Consumption 20.8W(AC120V input),22.1W(AC277V input)
- Dedicated Driver Constant current (50/60Hz shared)
- Fixture Input Voltage 37.1V
- Fixture Input Current 0.5A
- Weight 2.34 lbs,1060g(Driver weight is included)
- Dimming Control 0-10V
- Dimming Range 5%-100%
- UL File number E472786
- delivered lumen (N)for Narrow 25.8Lm/W(AC120V input)
24.3Lm/W(AC277V input)
(M)for Medium 36.1Lm/W(AC120V input)
34.0Lm/W(AC277V input)
- life rating 50,000hours. L70
- warranty coverage 5 years
- CRI(Ra) 93 typ
- color temperature 2700K,3000K,3500K,4000K



Narrow

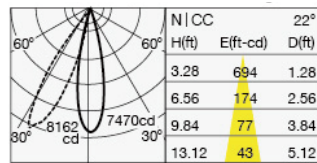
Solid line:vertically / Dotted line:tilt angel:25°



3000K / 1783Lm

Medium

Solid line:vertically / Dotted line:tilt angel:25°



3000K / 1783Lm

| E(ft-cd) | 2700K | 3000K | 3500K | 4000K |
|----------|--------|--------|--------|-------|
| 1685lm | 1783lm | 1818lm | 1857lm | |
| 3.28ft | 1210 | 1280 | 1306 | 1334 |
| 6.56ft | 302 | 320 | 326 | 333 |
| 9.84ft | 134 | 142 | 145 | 148 |
| 13.12ft | 76 | 80 | 82 | 83 |

PRODUCT CODE

- MMP-080A/WC/SWF/N or M/10B27/Z1/2
- MMP-080A/WC/SWF/N or M/10B30/Z1/2
- MMP-080A/WC/SWF/N or M/10B35/Z1/2
- MMP-080A/WC/SWF/N or M/10B40/Z1/2
- MMP-080A/MC/SWF or SMF/N or M/10B27/Z1/2
- MMP-080A/MC/SWF or SMF/N or M/10B30/Z1/2
- MMP-080A/MC/SWF or SMF/N or M/10B35/Z1/2
- MMP-080A/MC/SWF or SMF/N or M/10B40/Z1/2
- MMP-080A/CC/SWF or SMF/N or M/10B27/Z1/2
- MMP-080A/CC/SWF or SMF/N or M/10B30/Z1/2
- MMP-080A/CC/SWF or SMF/N or M/10B35/Z1/2
- MMP-080A/CC/SWF or SMF/N or M/10B40/Z1/2

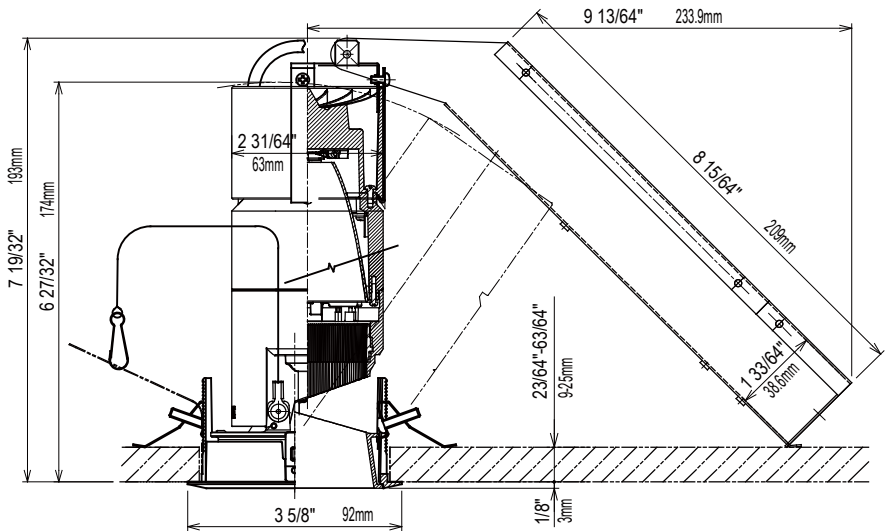
HOW TO READ THE PRODUCT CODE

MMP-080A/CC/SWF/N/10B27/Z1/2
1 2 3 4 5 6 7 8

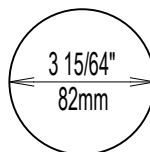
- 1 Basic product Series
- 2 Choose the letter code to designate the desired color of cone (WC)for White cone (MC)for Matte black cone (CC)for Chrome cone
- 3 Choose the letter code to designate the desired color of Trim (SWF)for White (SMF)for matte black
- 4 Choose the letter code to designate the desired light distribution (N)for Narrow 11° (M)for Medium 19°
- 5 Light Source
- 6 Choose the letter code to designate the desired Color Temperature (27)for 2700K (30)for 3000K (35)for 3500K (40)for 4000K
- 7 Designates led driver type (1)for HIGH PERFECTION, Cat No. LP1036-48-C0500-010V
- 8 Authentication (2)for UL

Lens Filter options

- Full-Diffuser Lens Filter MLA-080/DF01
- Semi-Diffuser Lens Filter MLA-080/DS03
- Full-Spread Lens Filter MLA-080/SF01
- Semi-Spread Lens Filter MLA-080/SS01
- Edge Control Lens Filter MLA-080/EC02
- Sharpener Lens MLA-080/SH01 (available only for narrow distribution)



Ceiling Hole Diameter



Wiring Diagram

